



Beach Hut



EN	ASSEMBLY INSTRUCTIONS
DE	MONTAGEANLEITUNGEN
FR	INSTRUCTIONS DE MONTAGE
ES	INSTRUCCIONES DE MONTAJE
IT	ISTRUZIONI PER L'ASSEMBLAGGIO
NL	MONTAGE INSTRUCTIES
PT	INSTRUÇÕES DE MONTAGEM
EL	ΟΔΗΓΙΕΣ ΣΥΝΑΡΜΟΛΟΓΗΣΗΣ
DA	SAMLEANVISNING
SV	MONTERINGSINSTRUKTIONER
NO	MONTERINGSVEILEDNING
FI	KOKOAMISOHJEET
PL	INSTRUKCJA MONTAŻU
CZ	NÁVOD K MONTÁŽI
SK	MONTÁŽNY NÁVOD
SI	NAVODILA ZA MONTAŽO
HR	UPUTE ZA MONTAŽU
HU	ÖSSZESZERELÉSI ÚTMUTATÓ
RO	INSTRUCȚIUNI DE ASAMBLARE
BG	ИНСТРУКЦИЯ ЗА МОНТАЖ
LT	MONTAVIMO INSTRUKCIJA
LV	MONTĀŽAS NORĀDĪJUMI
EE	KOKKUPANEMISUJUHEND
RU	ИНСТРУКЦИЯ ПО СБОРКЕ

blue rabbit 2.0


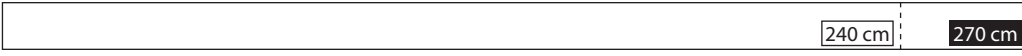
IM008.001.003-v02 (2015-06)



© 2014



Blue Rabbit 2.0 - Hemelrijken 8 - B-2890 St-Amands - Belgium.
Copyrighted material - Do not reproduce under penalty of law.







EN 71-1, 2, 3 & 8



- 2x** **A** min 68 mm max 90 mm   240 cm 270 cm


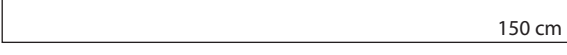
min 68 mm max 90 mm
- 2x** **B** min 68 mm max 90 mm   191 cm 221 cm



min 68 mm max 90 mm
- 1x** **C** min 68 mm max 90 mm   127 cm


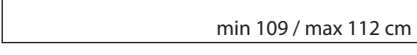
min 68 mm max 90 mm
- 1x** **D** min 68 mm max 90 mm   78 cm


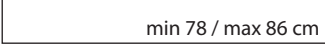
min 68 mm max 90 mm
- 2x** **E** min 68 mm max 90 mm   134 cm 166 cm



min 32 mm max 50 mm
- 2x** **F** min 68 mm max 90 mm   160 cm


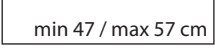
min 32 mm max 50 mm
- 7x** **G** min 68 mm max 90 mm   150 cm


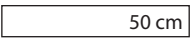
min 32 mm max 50 mm
- 6x** **H** min 68 mm max 90 mm   130 cm


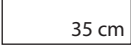
min 32 mm max 50 mm
- 1x** **I** min 68 mm max 90 mm   min 109 / max 112 cm



min 32 mm max 50 mm
- 2x** **J** min 68 mm max 90 mm   min 78 / max 86 cm


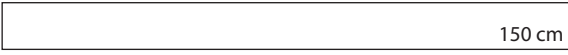
min 32 mm max 50 mm
- 2x** **K** min 68 mm max 90 mm   min 71 / max 73 cm


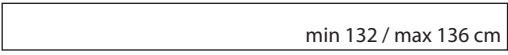
min 32 mm max 50 mm
- 2x** **L** min 44 mm max 45 mm   min 47 / max 57 cm



min 44 mm max 45 mm
- 3x 4x** **M** min 44 mm max 45 mm   50 cm

min 44 mm max 45 mm
- 2x** **N** min 44 mm max 45 mm   35 cm

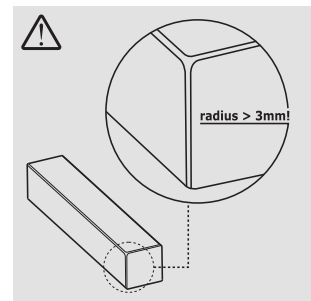
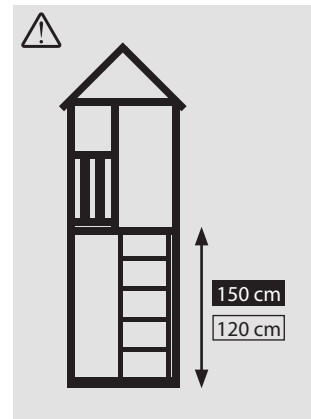
min 44 mm max 45 mm
- 11x*/17x**** **O** ** min 95 mm * max 145 mm   175 cm





min 15 mm max 22 mm
- 8x*/10x**** **P** ** min 95 mm * max 145 mm   150 cm








min 15 mm max 22 mm
- 10x*/14x**** **Q** ** min 95 mm * max 145 mm   min 132 / max 136 cm

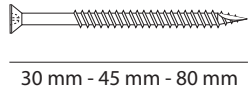
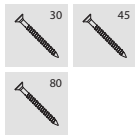
min 15 mm max 22 mm
- 4x** **R** min 95 mm max 145 mm   130 cm

min 15 mm max 22 mm

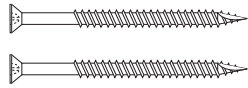


5x*/8x**	S ** min 95 mm * max 145 mm		118 cm
		min 15 mm max 22 mm	
3x*/4x**	T ** min 95 mm * max 145 mm		85 cm
		min 15 mm max 22 mm	
4x*/6x**	U ** min 95 mm * max 145 mm		69 cm
		min 15 mm max 22 mm	
3x*/4x**	V ** min 95 mm * max 145 mm		30 cm
		min 15 mm max 22 mm	

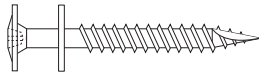
		α			
		95 mm	120 mm	145 mm	
2x	1	α 	122 cm	122 cm	122 cm
		min 15 mm max 22 mm			
2x	2	α 	126 cm	125 cm	128 cm
		min 15 mm max 22 mm			
2x	3	α 	130 cm	130 cm	133 cm
		min 15 mm max 22 mm			
2x	4	α 	134 cm	135 cm	139 cm
		min 15 mm max 22 mm			
2x	5	α 	137 cm	140 cm	145 cm
		min 15 mm max 22 mm			
2x	6	α 	141 cm	145 cm	-
		min 15 mm max 22 mm			
2x	7	α 	145 cm	-	-
		min 15 mm max 22 mm			



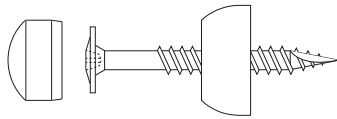
30 mm - 45 mm - 80 mm



45 mm - 80 mm

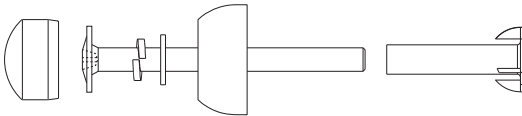


80 mm



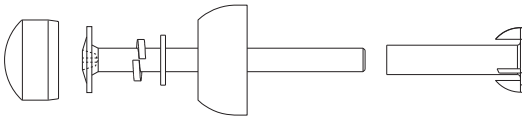
80 mm

6x



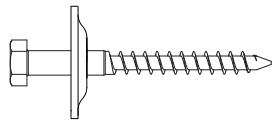
70 mm

4x



90 / 110 mm

2x



70 mm

5x

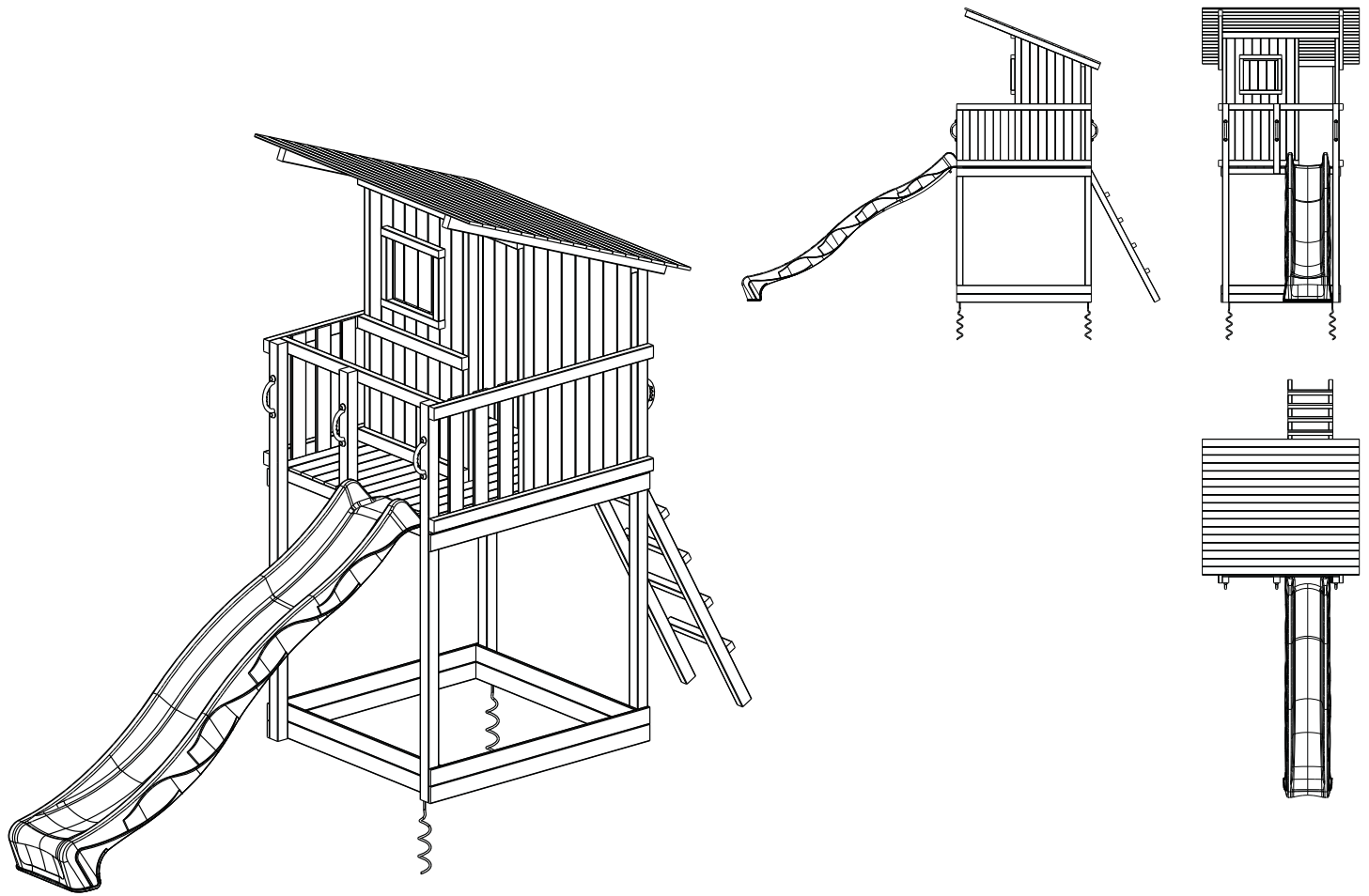



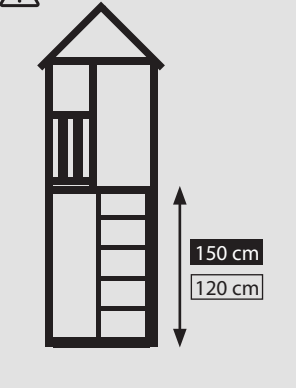
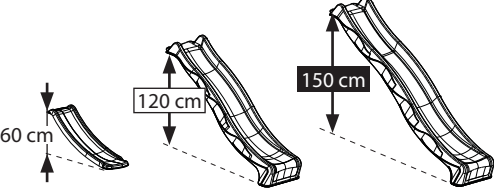
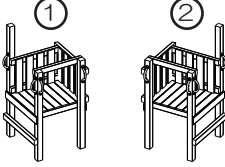

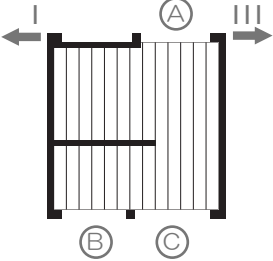
2x

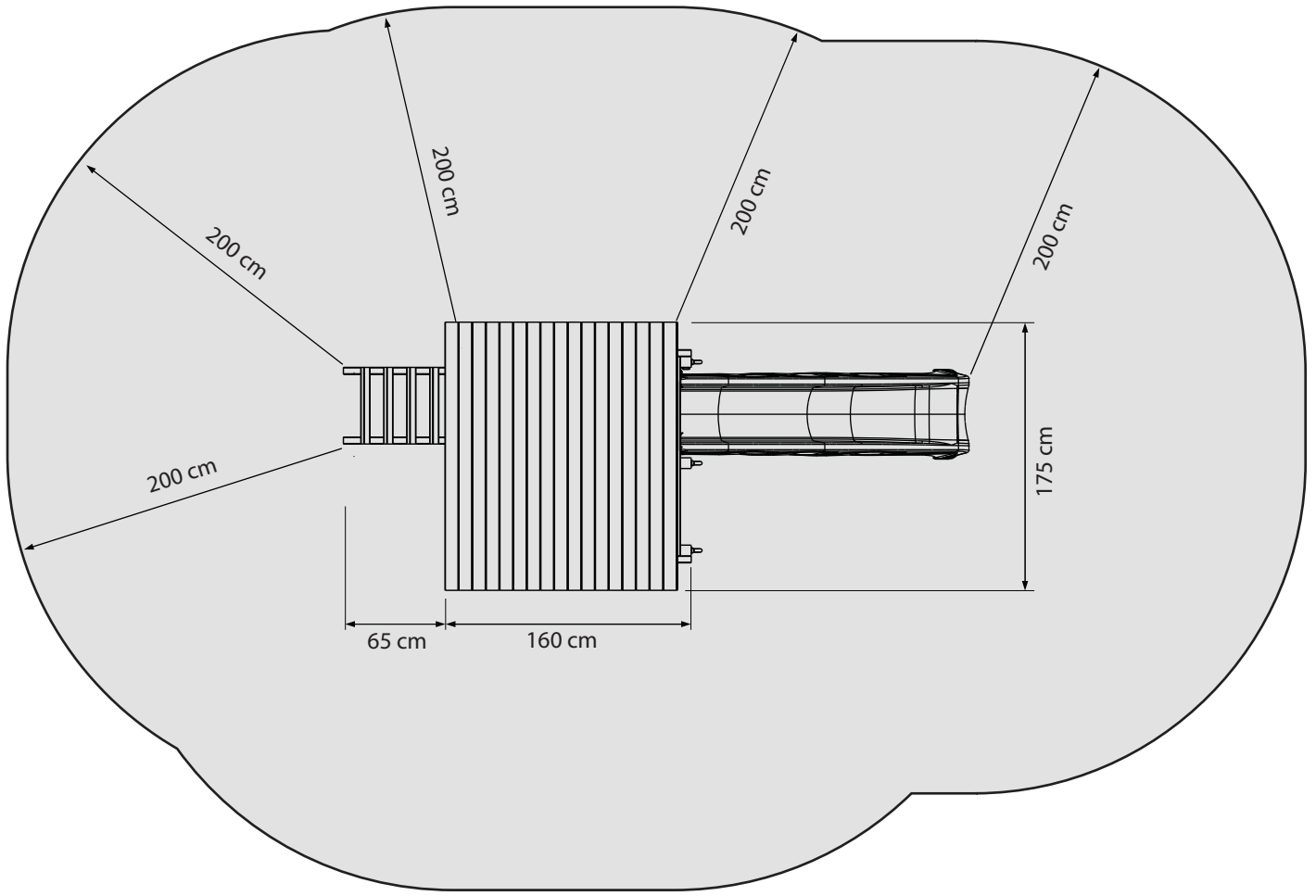


1x





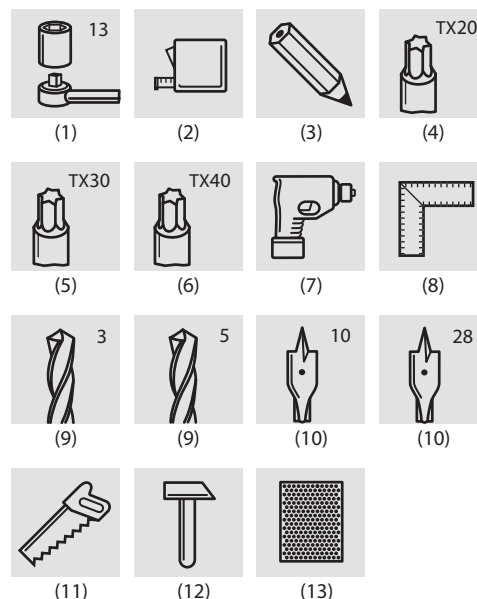
 				<p>@platform 008.003.006.001</p> 	<p>@bridge 008.003.004.001</p> 		
<p>Beach Hut 008.001.003.001</p> 	<p>150 cm</p>	<p>X</p>	<p>X</p>	<p>⊙</p>	<p>I ←</p>	<p>III →</p>	<p>⊙ A ⊙ B</p>
	<p>120 cm</p>	<p>X</p>	<p>⊙</p>	<p>X</p>	<p>I ←</p>	<p>III →</p>	<p>⊙ A ⊙ B</p>



@net 008.003.003.001	@ramp 008.003.002.001	@wall 008.003.001.001	@swing 008.003.005.001	
(A) (B)	(A) (B) X	(A) (B) X	I III	X
(A) (B)	X (A) (B)	X (A) (B)	X	I III

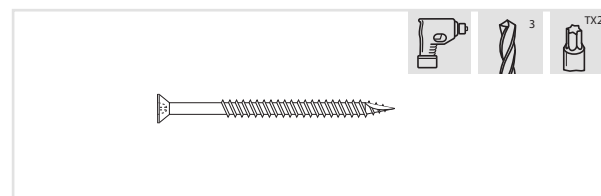
TOOLS REQUIRED

- (1) ratchet spanner with cap 13
- (2) tape measure
- (3) pencil
- (4) bit torx TX20
- (5) bit torx TX30
- (6) bit torx TX40
- (7) drill and/or screwdriver
- (8) square
- (9) wood bore bits \varnothing 3 and \varnothing 5 mm
- (10) speed bore bits \varnothing 10 and \varnothing 28 mm
- (11) wood saw
- (12) hammer
- (13) sandpaper



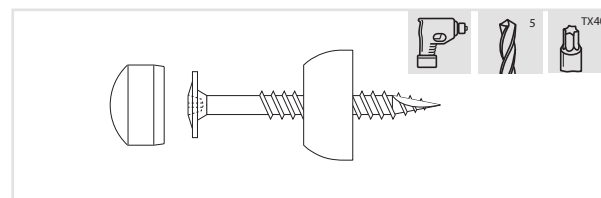
WOOD SCREWS

- step 1/ To prevent the wood splitting we recommend pre-drilling all wood to be screwed. Always drill at least 15 mm less deep than the length of the screw. Pre-drill wood screws with a diameter of 4.5 mm with a 3 mm wood bore bit.
- step 2/ First turn the screw one or two millimetres into the plank to be secured, then press this firmly against the other piece of wood.
- step 3/ Tighten the screw with the torx TX20 bit supplied in the wood until the head of the screw is level with the surface of the wood.



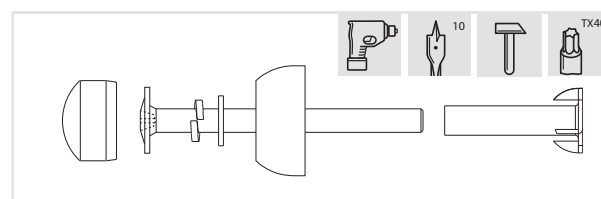
COACH SCREWS


- step 1/ To prevent the wood splitting we recommend pre-drilling all wood to be screwed. Always drill at least 15 mm less deep than the length of the screw. Pre-drill coach screws with a diameter of 8 mm with a 5 mm wood bore bit.
- step 2/ Place the flat washer and the bottom of the protective cap over the shaft of the screw.
- step 3/ First turn the screw one or two millimetres into the beam to be secured, then press this firmly against the other piece of wood.
- step 4/ Tighten the screw with the torx bit TX40 supplied.
- step 5/ Press the top of the protective cap into the opening provided.

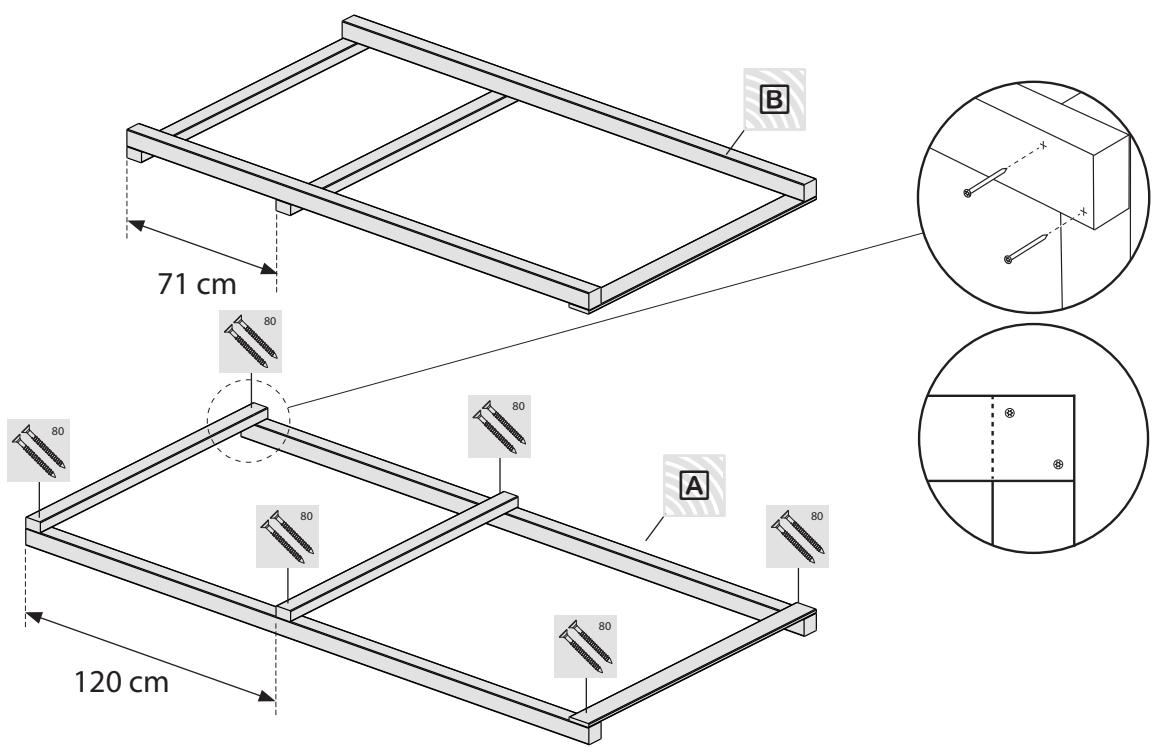


BOLTED CONNECTIONS

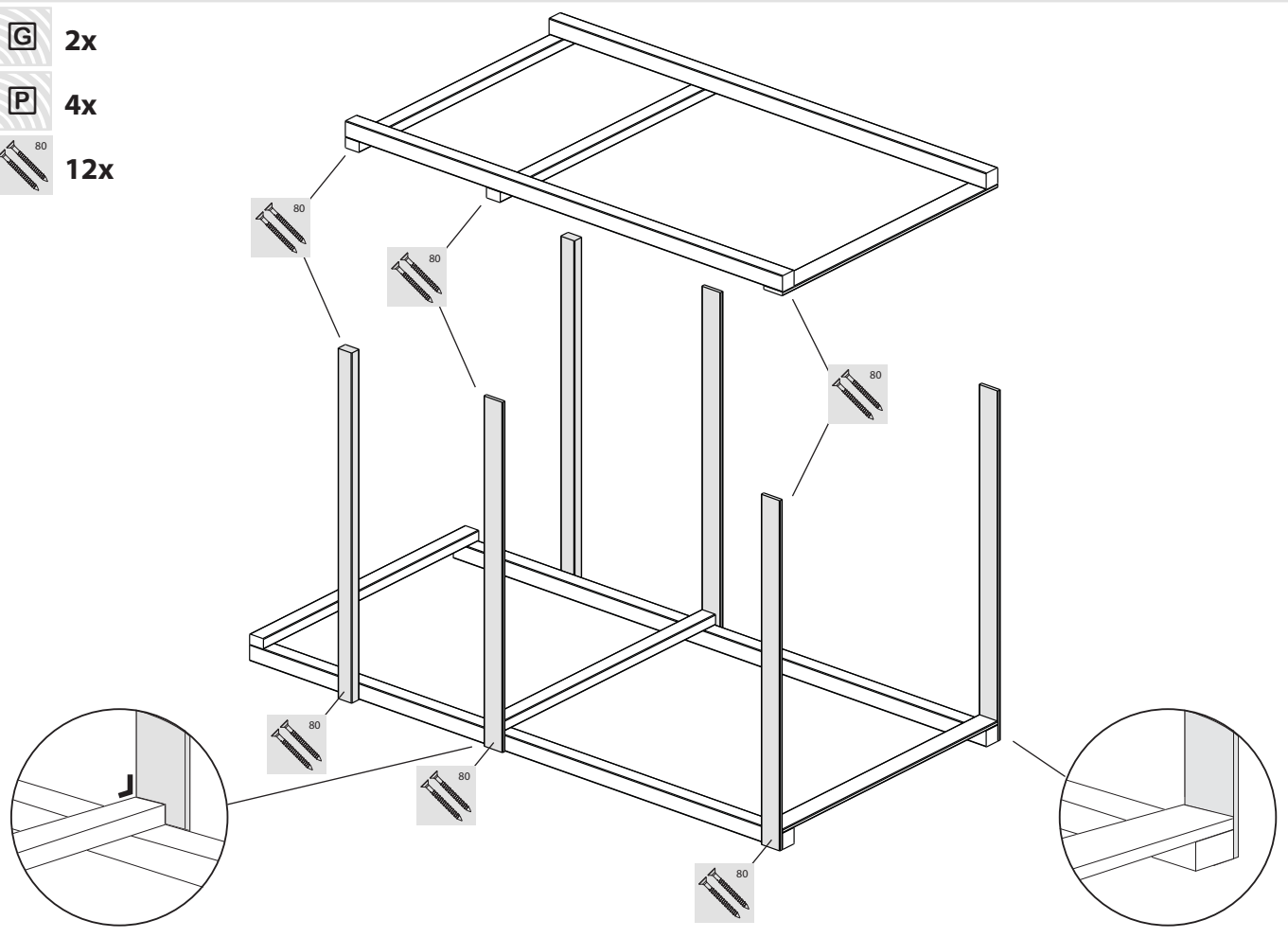
- step 1/ Drill a hole with diameter 10 mm through both planks or beams that have already been screwed together (see 'wood screws')
- step 2/ Hit the drive-in nut with a hammer along the designated side of the beam in the hole.
- step 3/ Place the spring ring, the flat washer and then the bottom part of the protective cap over the shaft of the bolt.
- step 4/ Push the bolt through the hole, and turn by hand several times until the bolt turns smoothly in the press-in nut.
- step 5/ Tighten the bolt with torx bit TX40 supplied, until the spring ring is fully flattened between the head of the bolt and the flat washer.
- step 6/ Press the top of the protective cap into the opening provided.






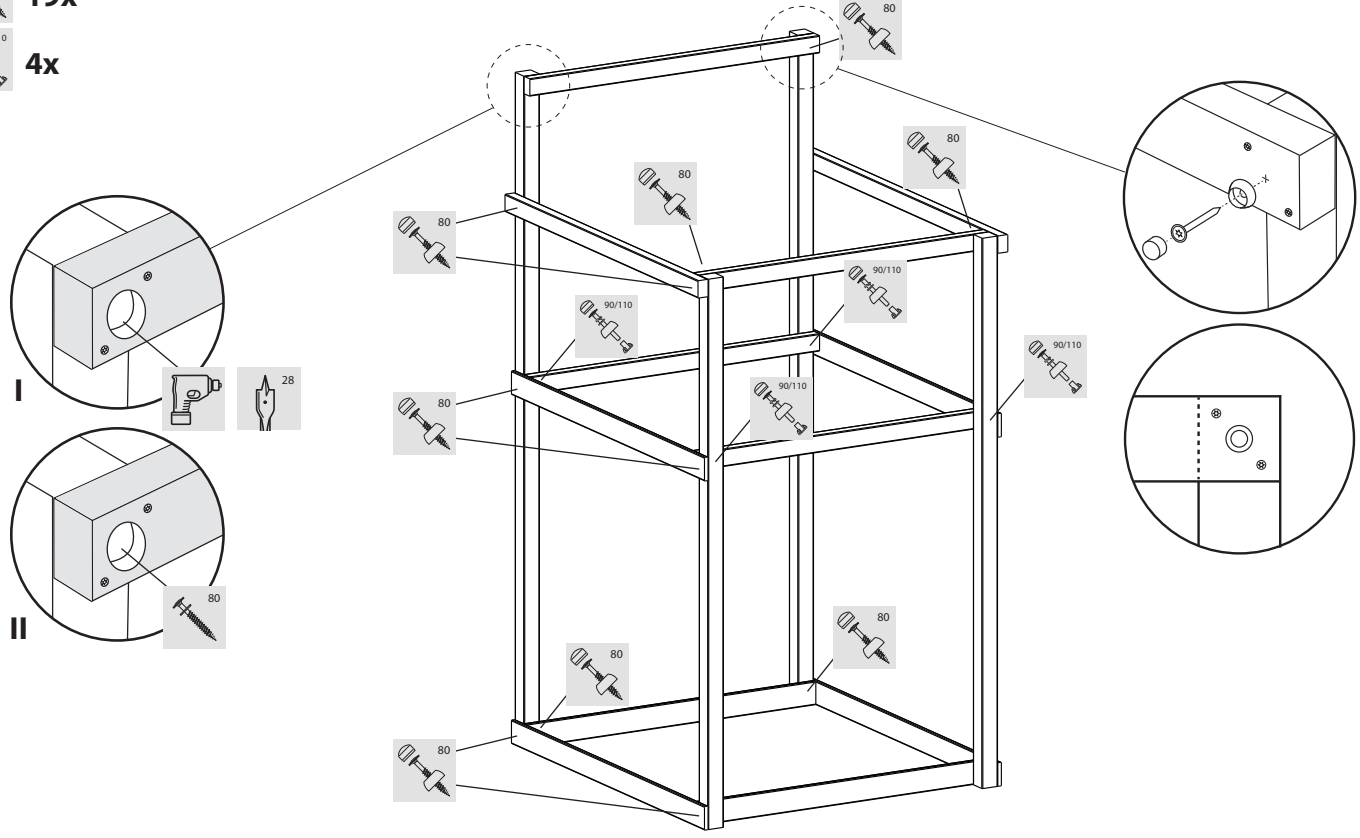
- A** 2x
- B** 2x
- H** 4x
- R** 2x
-  12x





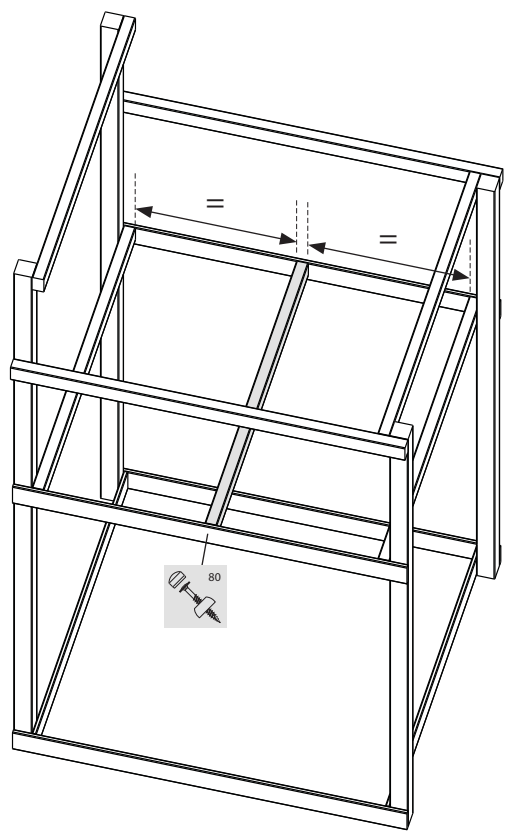
- G** 2x
- P** 4x
-  12x



-  80 **1x**
-  80 **19x**
-  90/110 **4x**

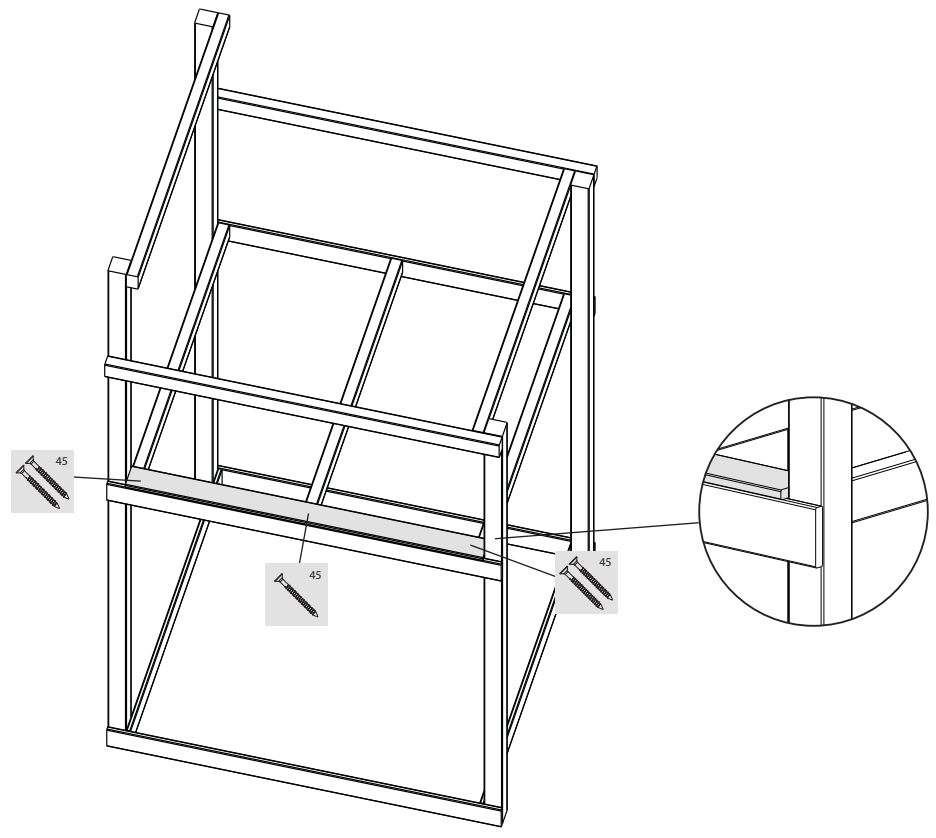


-  **1x**
-  80 **2x**



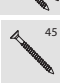


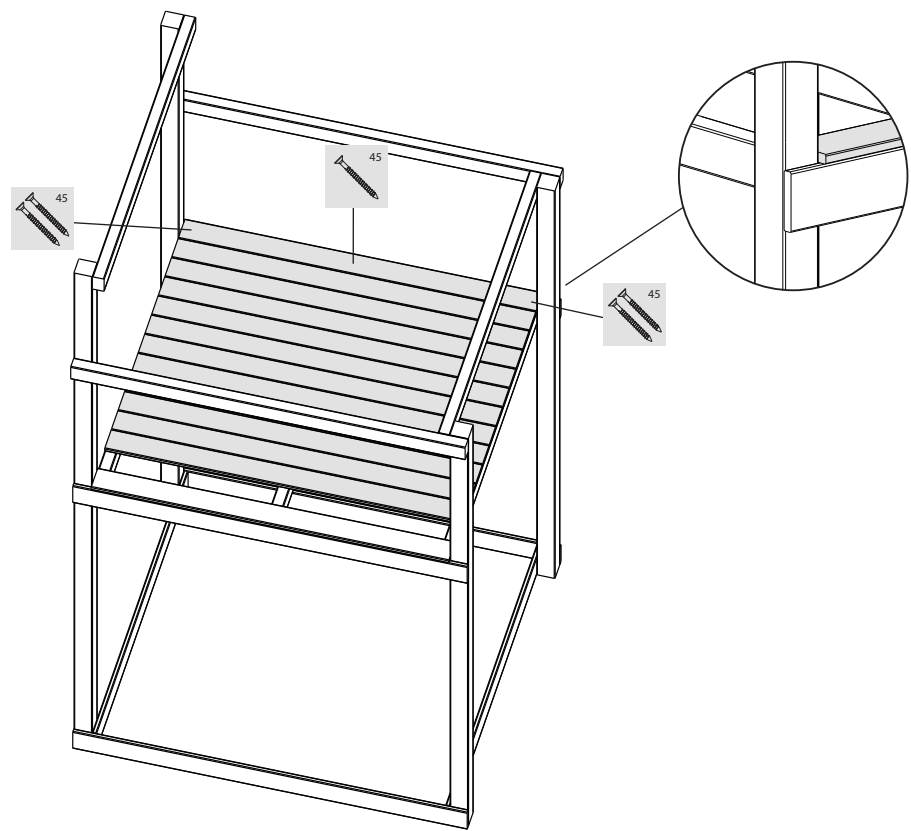
5a

-  1x
-  2x
-  1x

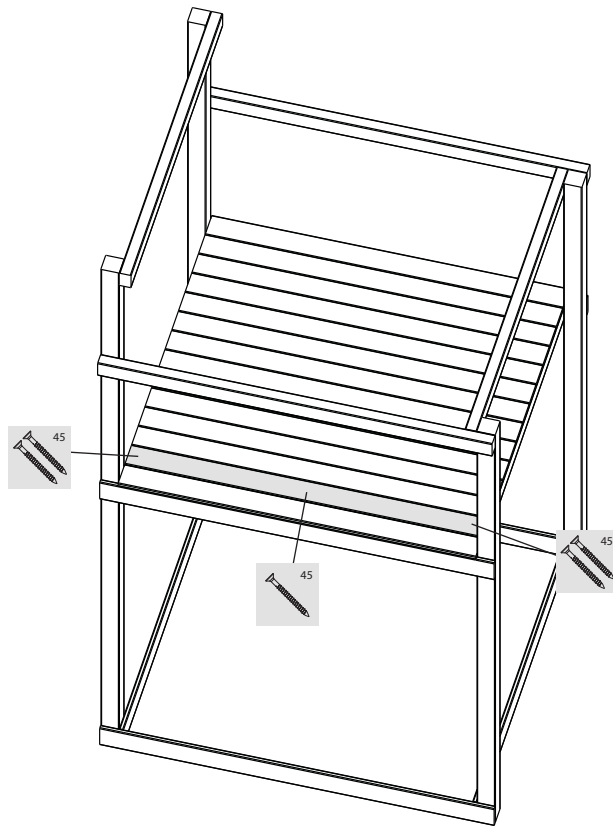
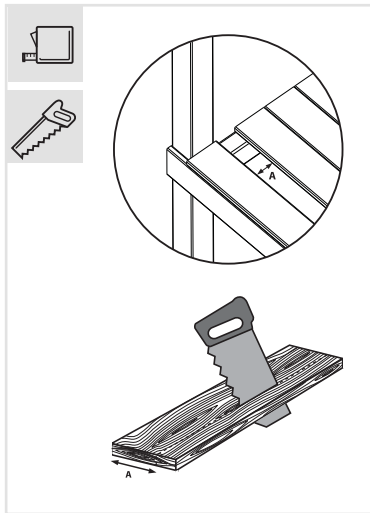





5b

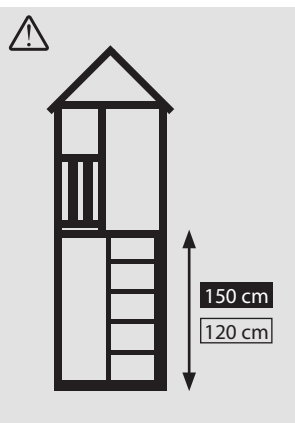
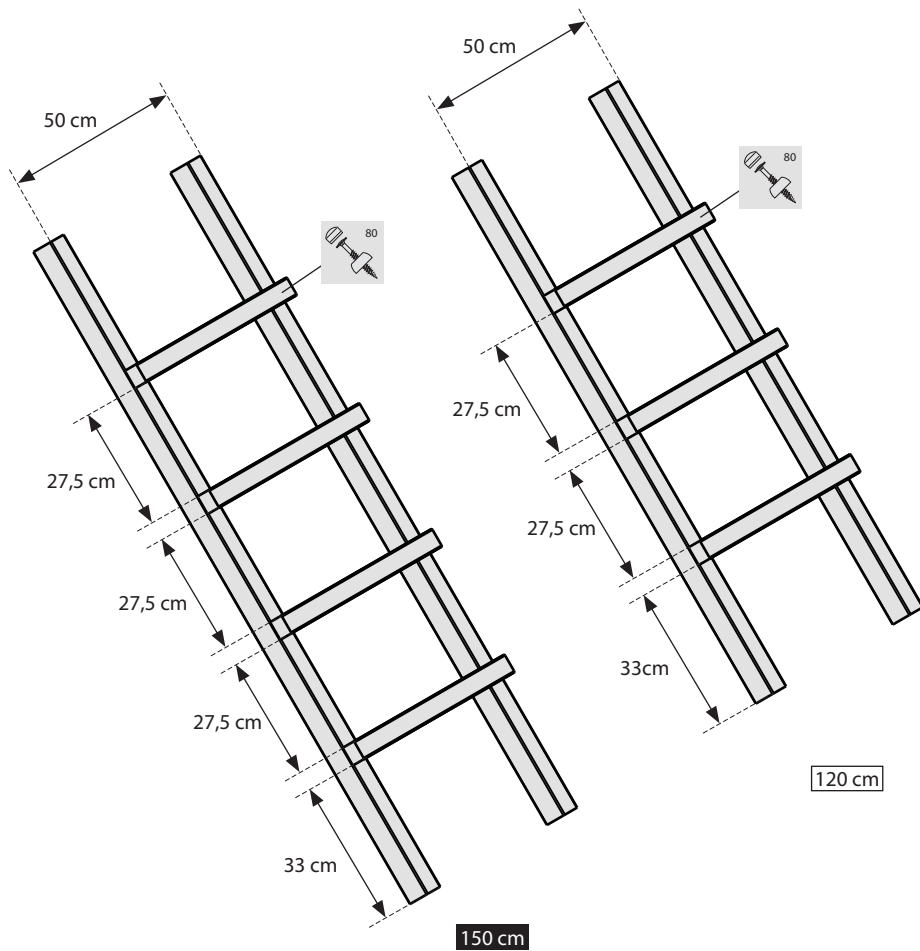
-  8x/12x
-  24x
-  12x



-  **1x**
-  **2x**
-  **1x**



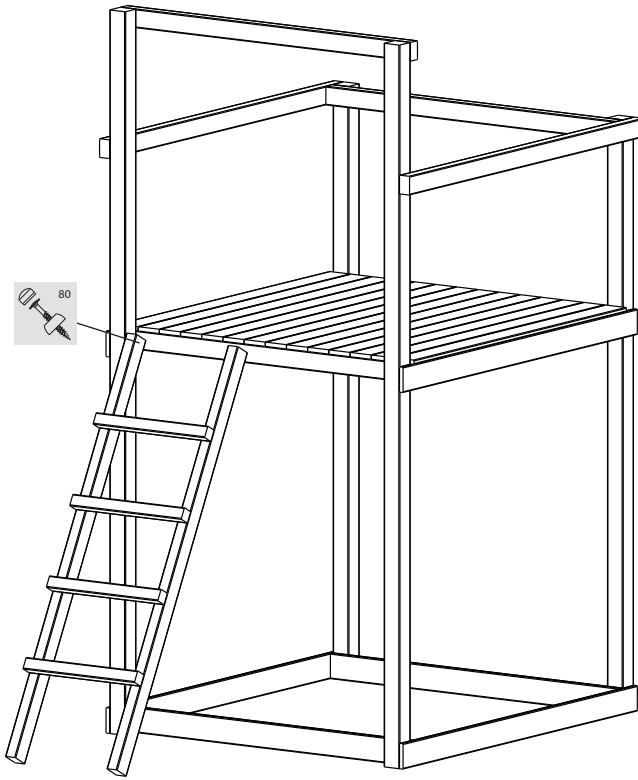
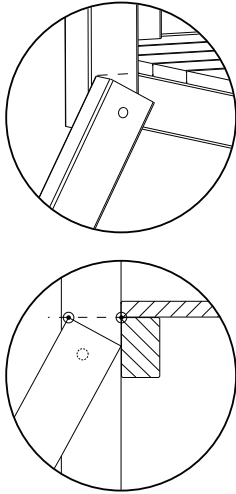
-  **2x**
-  **3x 4x**
-  **8x**





1x

6b



1x

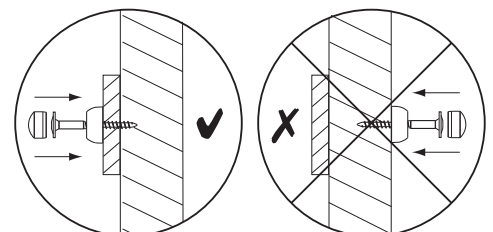
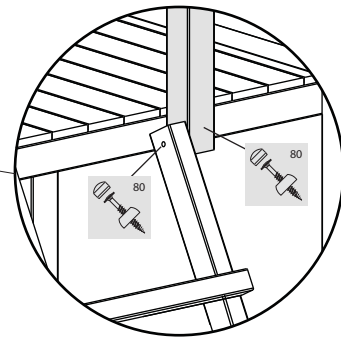
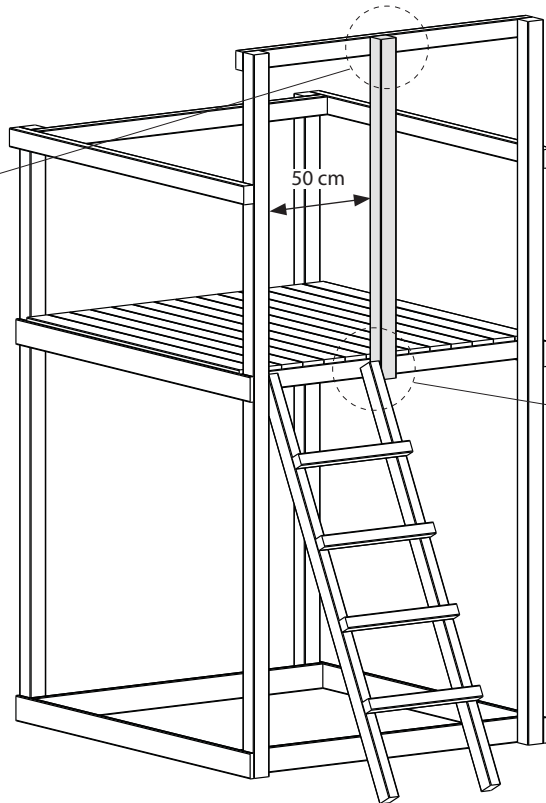
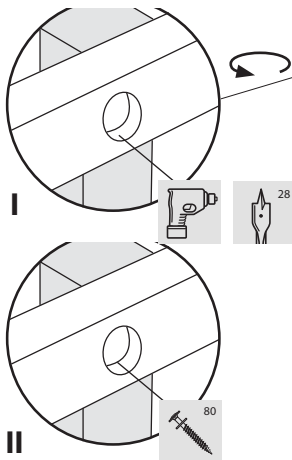


1x

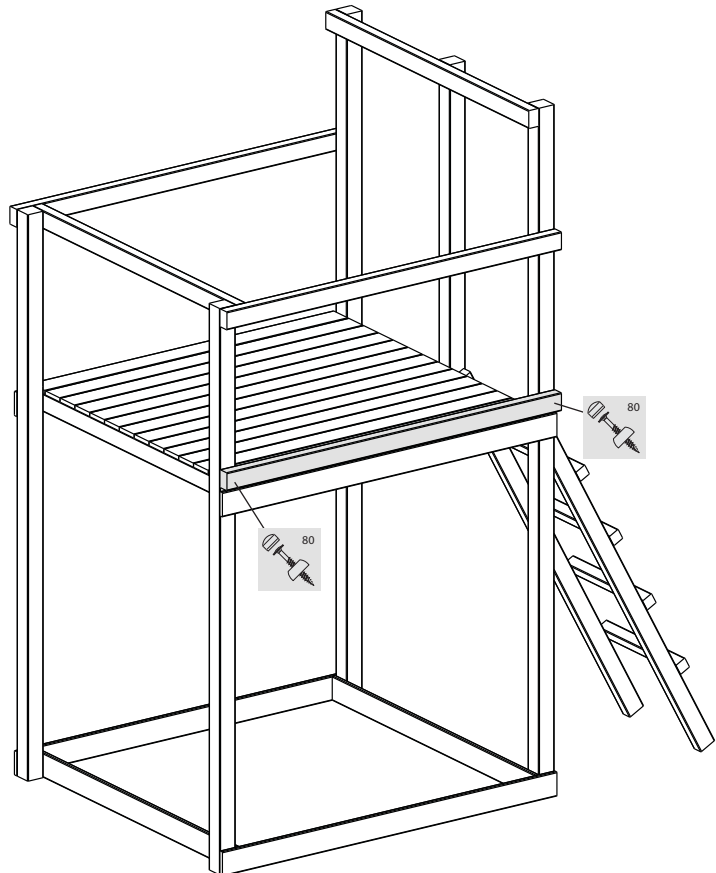


2x

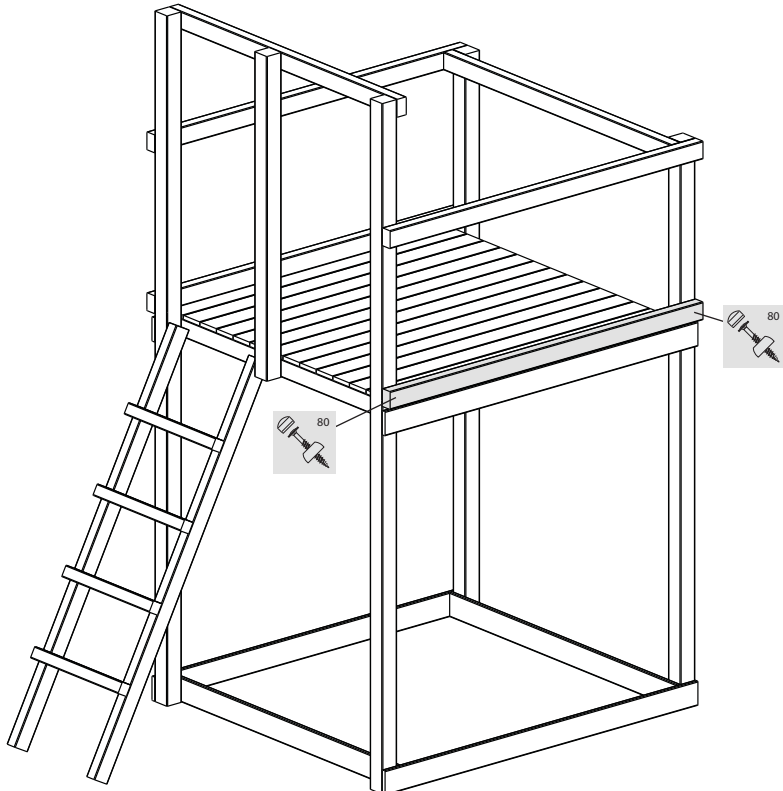
7





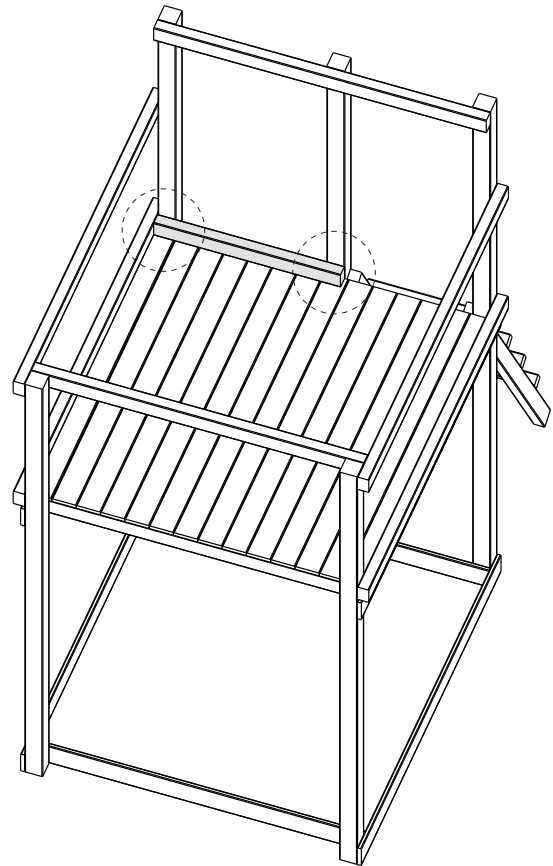
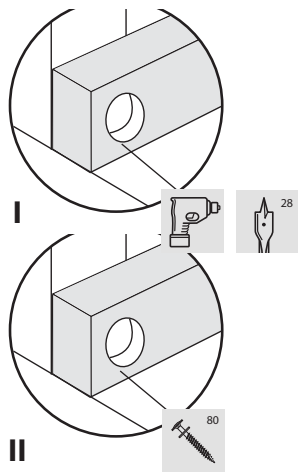
-  1x
-  2x




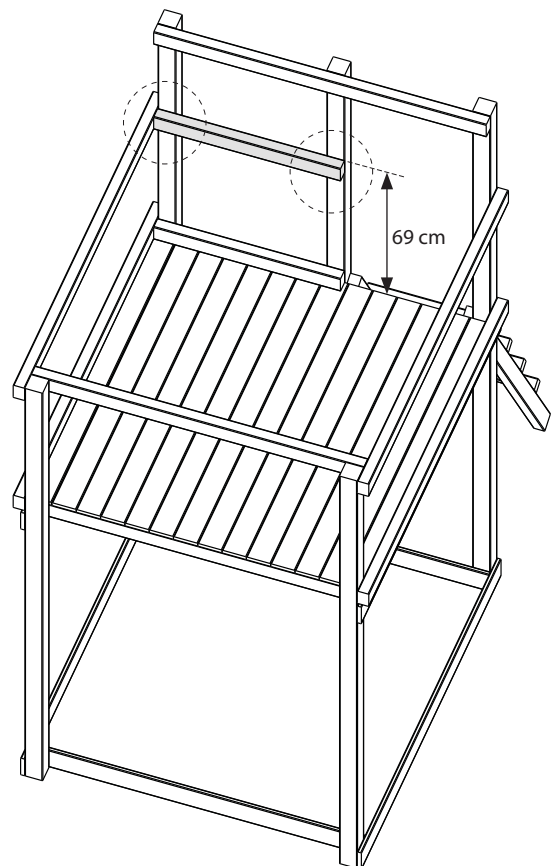
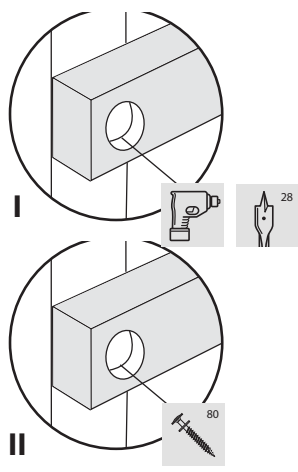
-  1x
-  2x





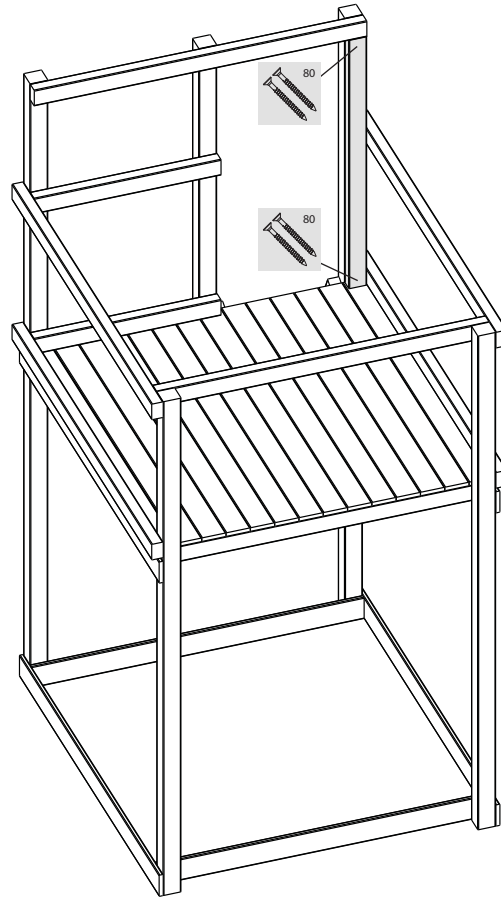
-  1x
-  80 2x










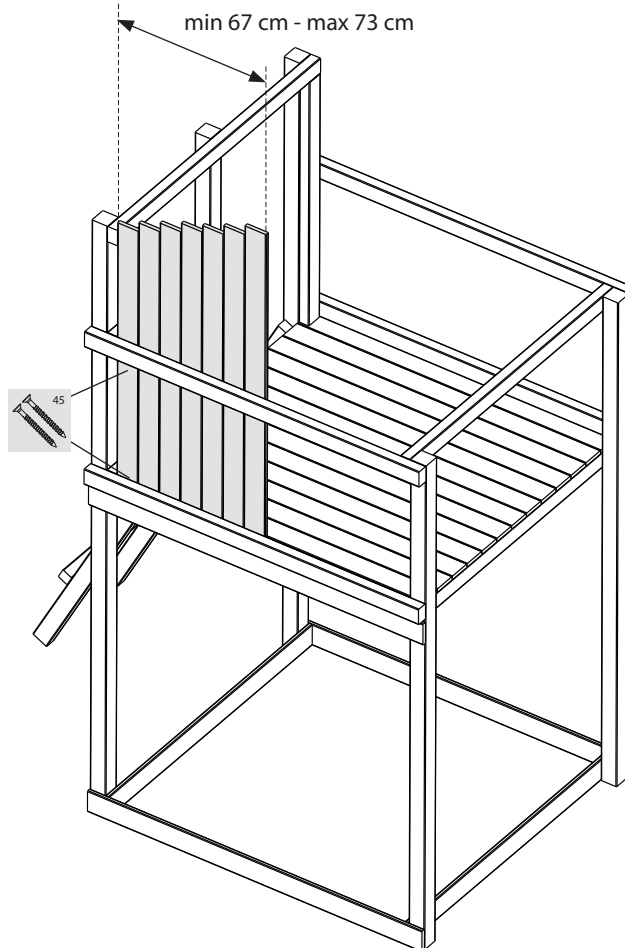
-  1x
-  80 2x




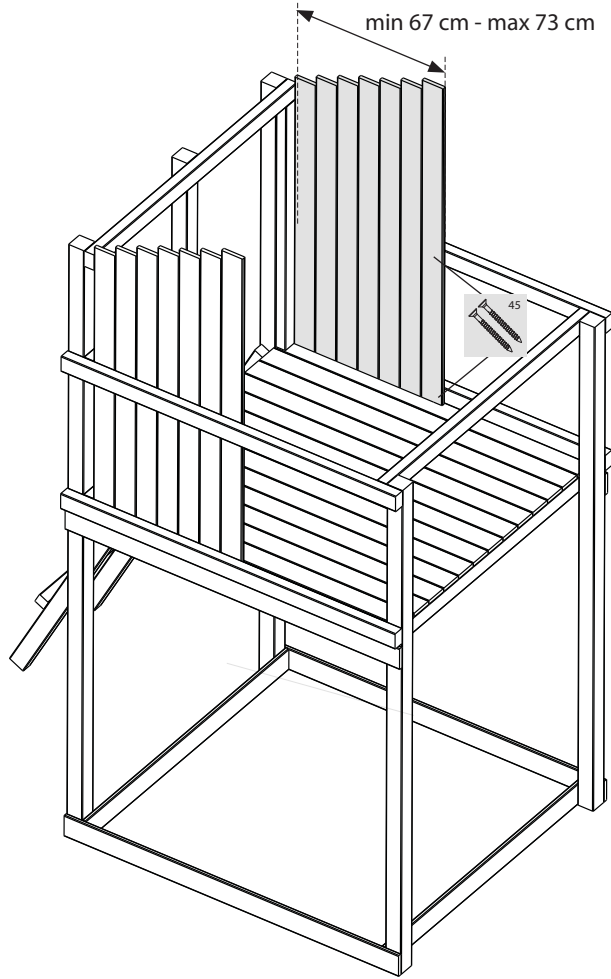
-  **1x**
-  **2x**





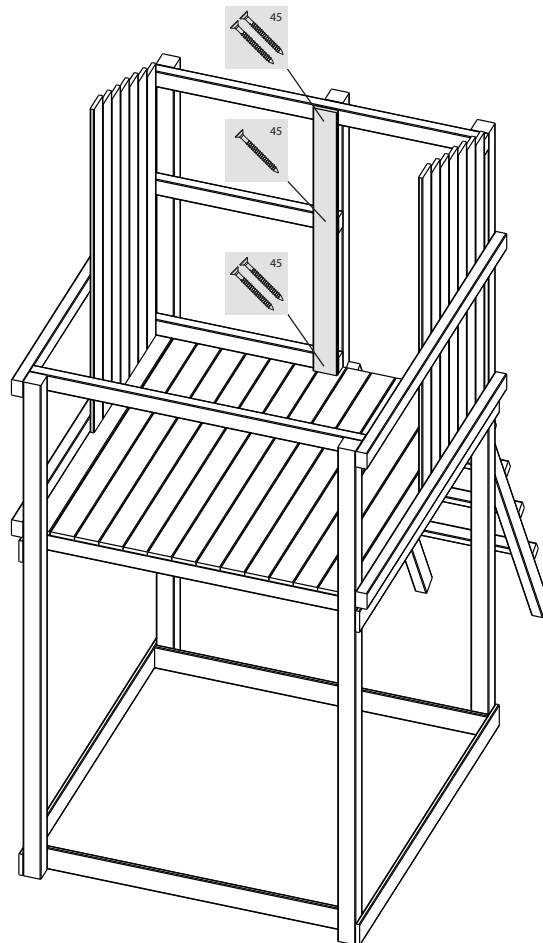
-  **1x**
-  **1x**
-  **1x**
-  **1x**
-  **1x**
-  **(1x)**
-  **(1x)**
-  **14x**






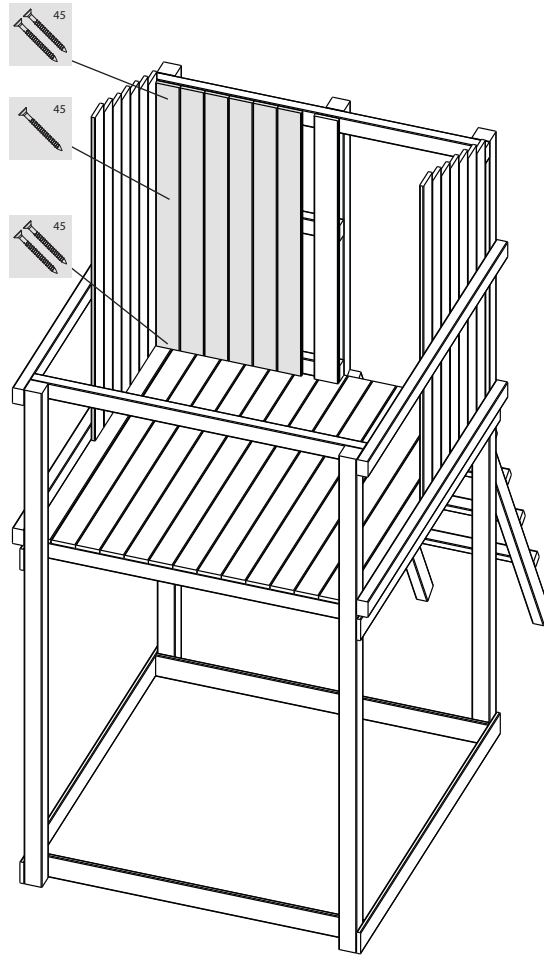
- 1** 1x
- 2** 1x
- 3** 1x
- 4** 1x
- 5** 1x
- 6** (1x)
- 7** (1x)
-  14x



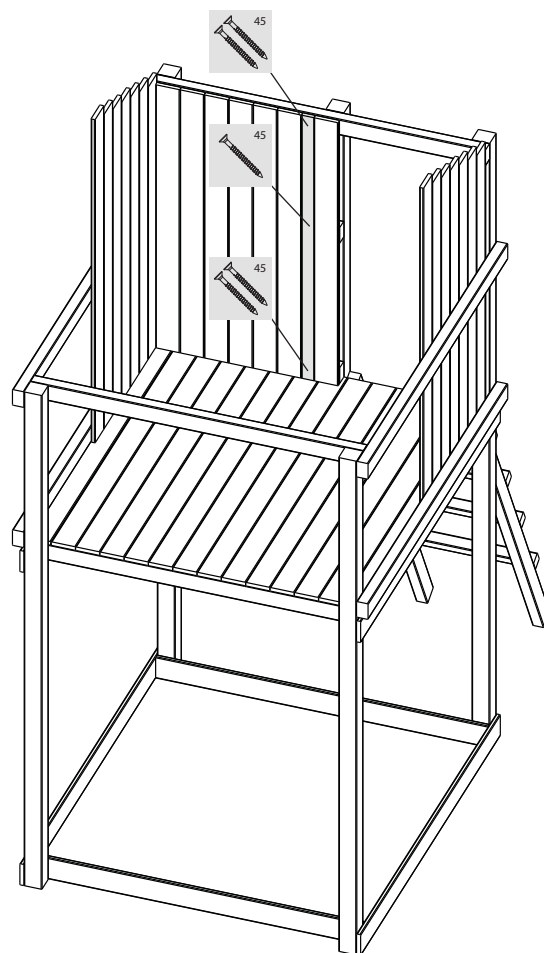
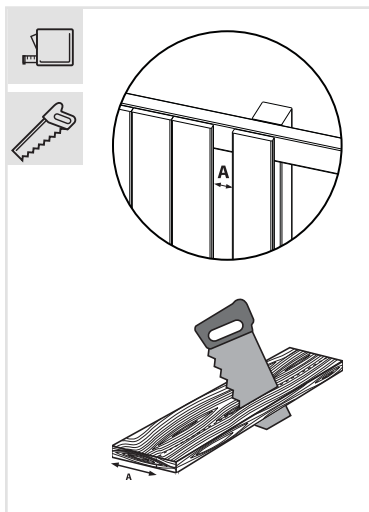
- S** 1x
-  2x
-  1x



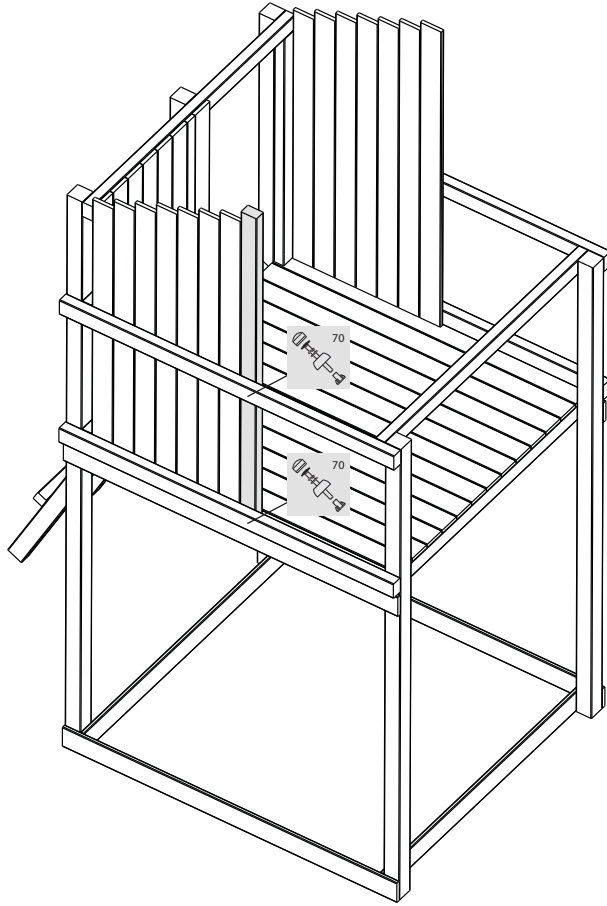
-  **3x/6x**
-  **12x**
-  **6x**



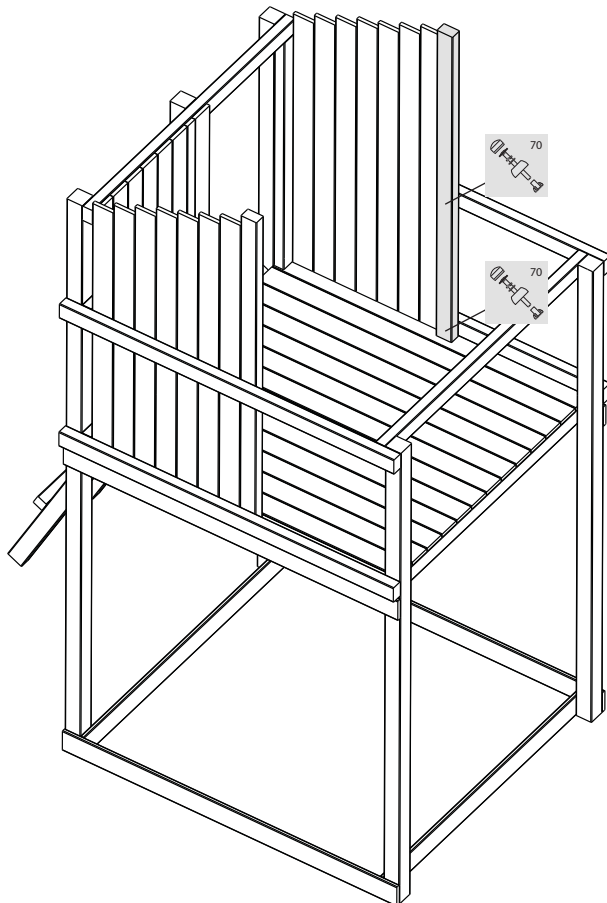
-  **1x**
-  **2x**
-  **1x**




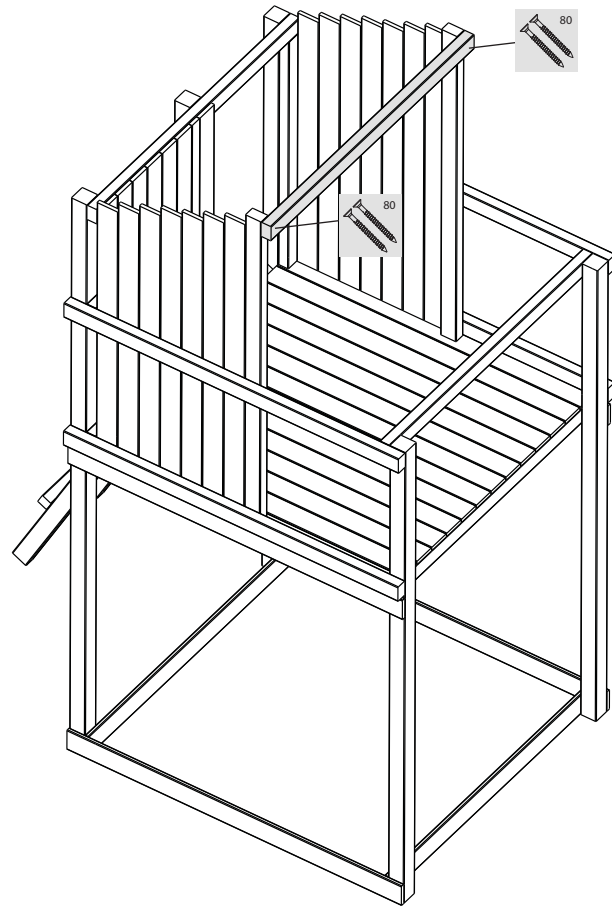
-  1x
-  2x





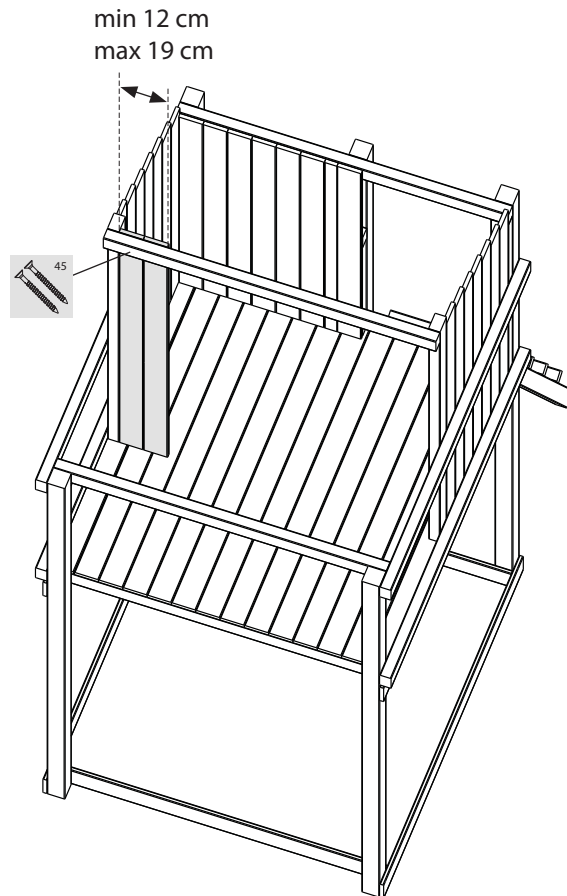
-  1x
-  2x



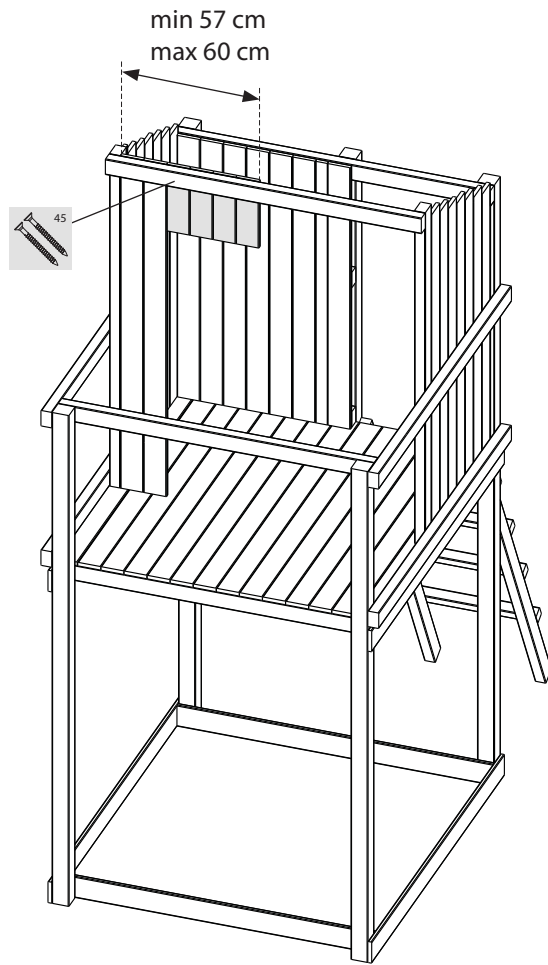
-  1x
-  2x



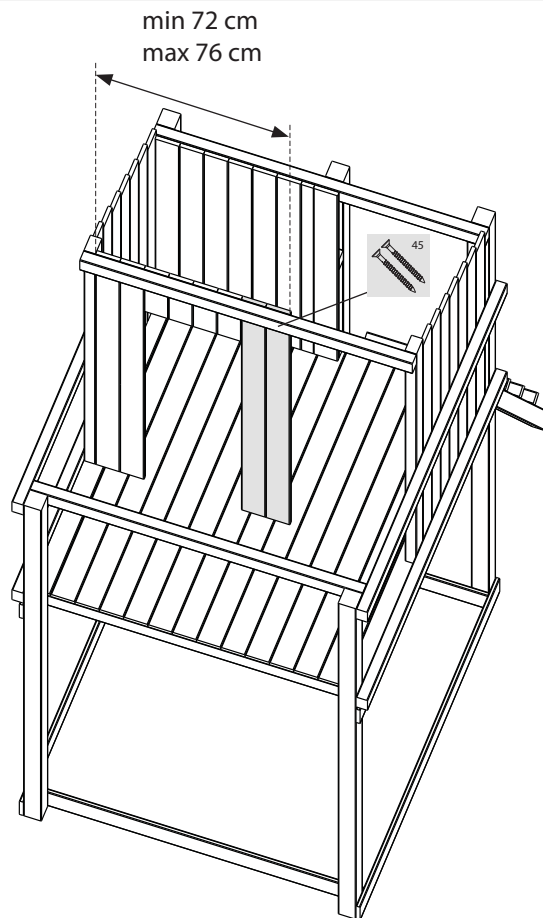
-  1x/2x
-  2x






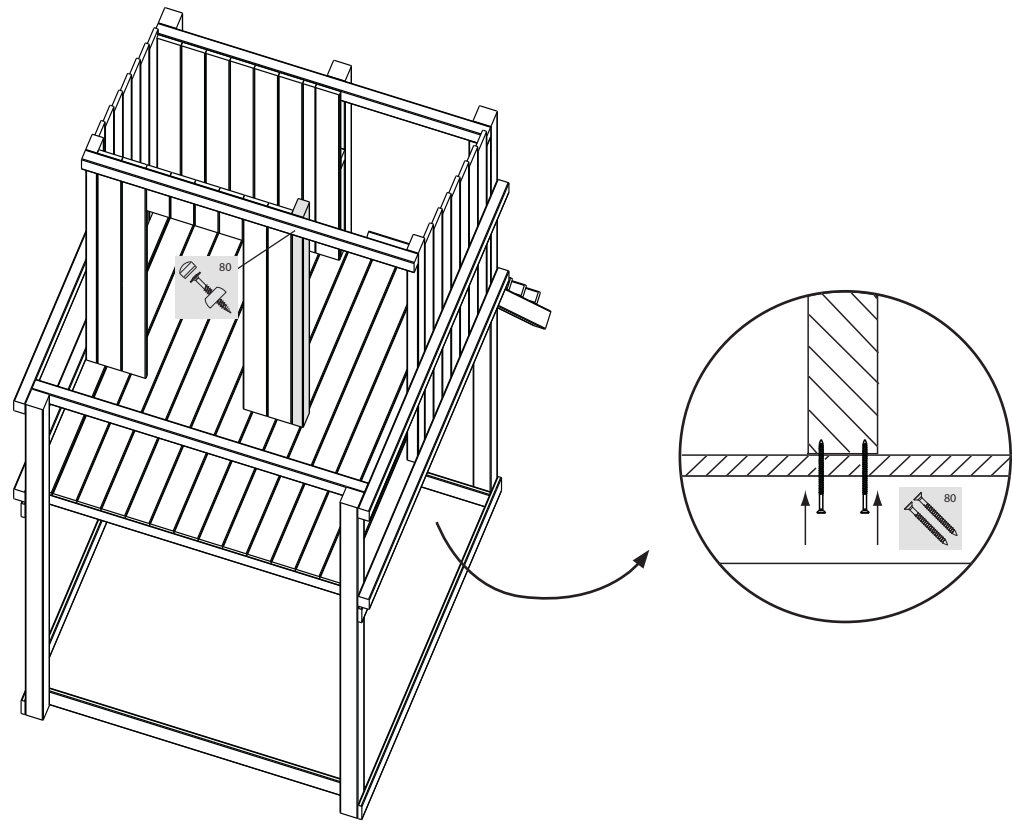
V 3x/4x
45
4x





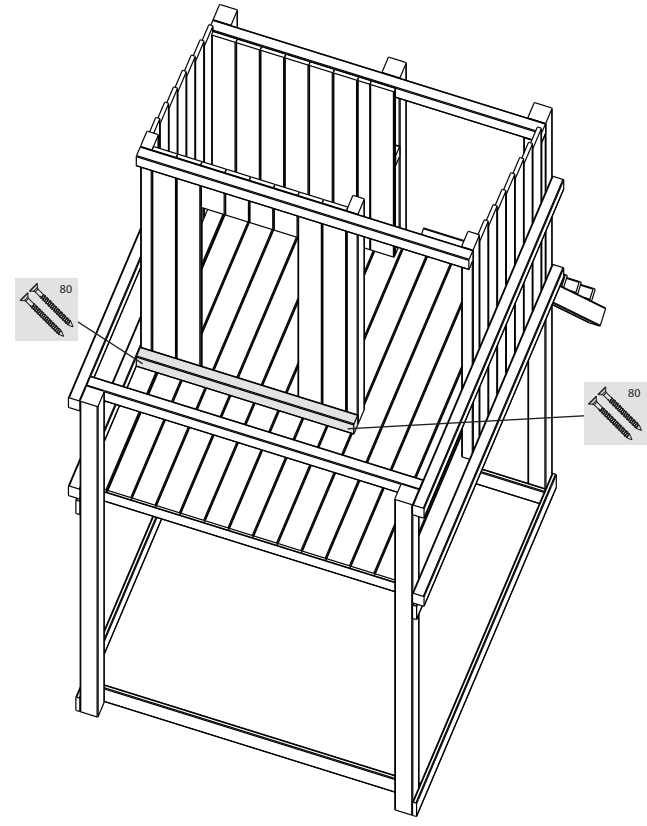
P 1x/2x
45
2x





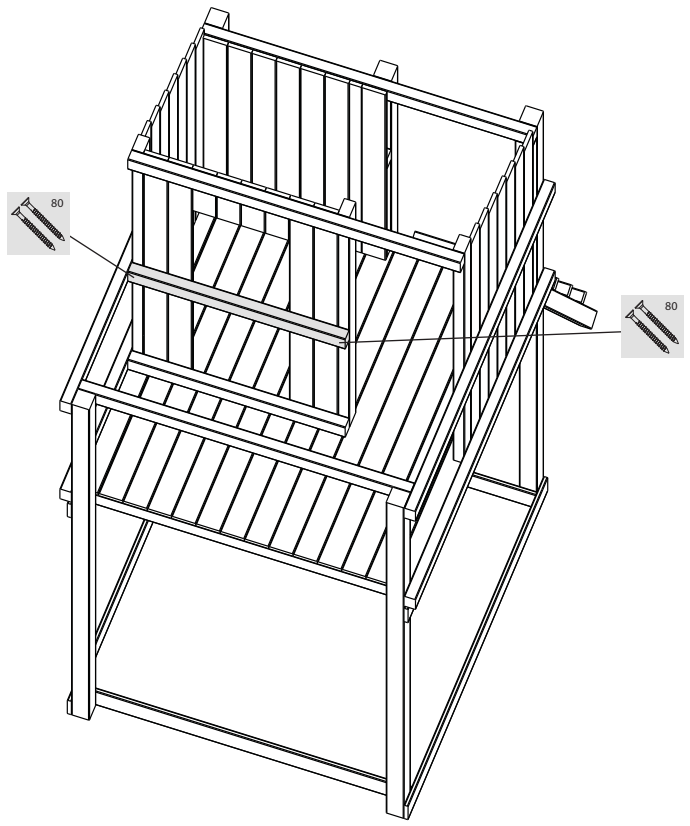
-  **1x**
-  **1x**
-  **1x**





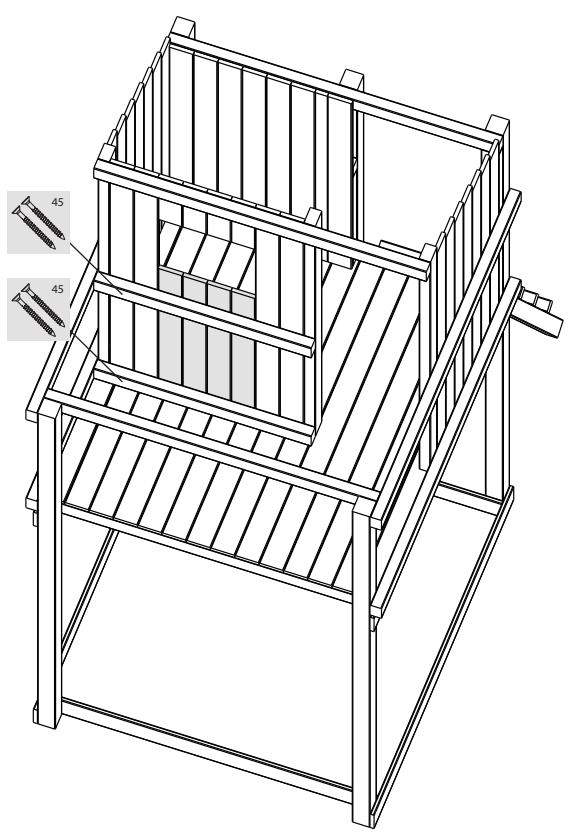
-  **1x**
-  **2x**



-  **1x**
-  **2x**

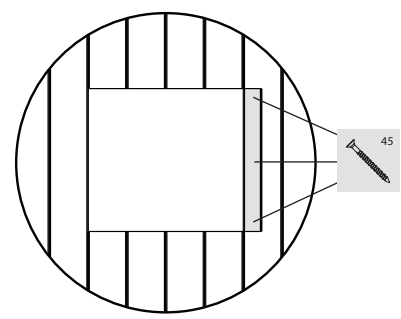
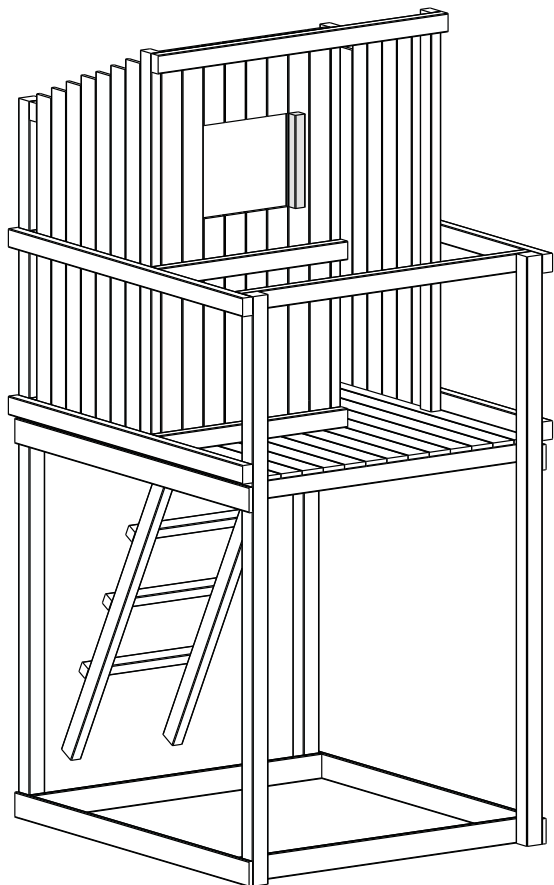


-  **3x/4x**
-  **10x/16x**



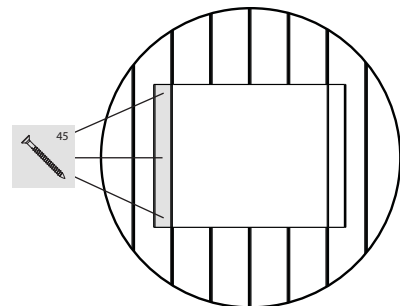
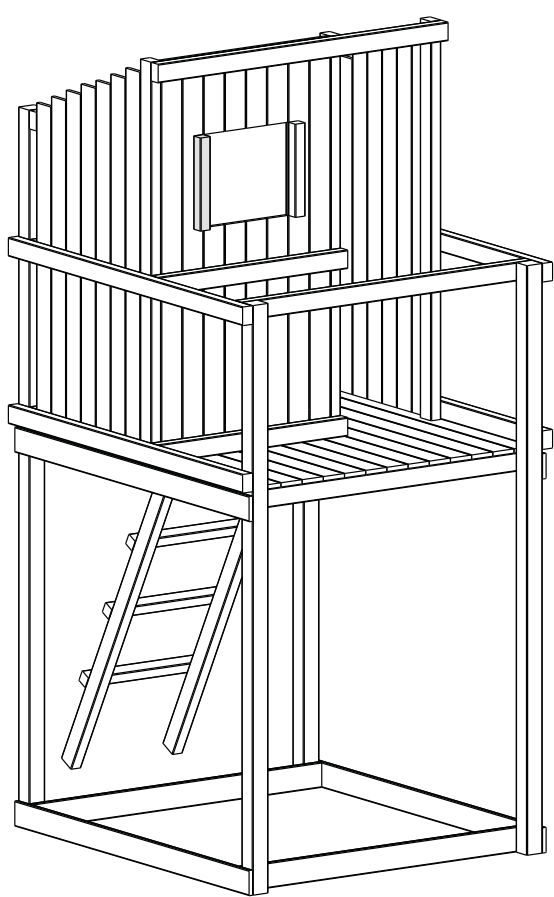
N 1x
45 3x



15a

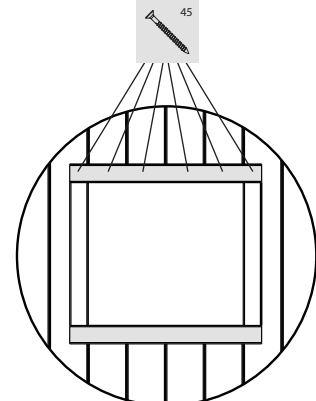
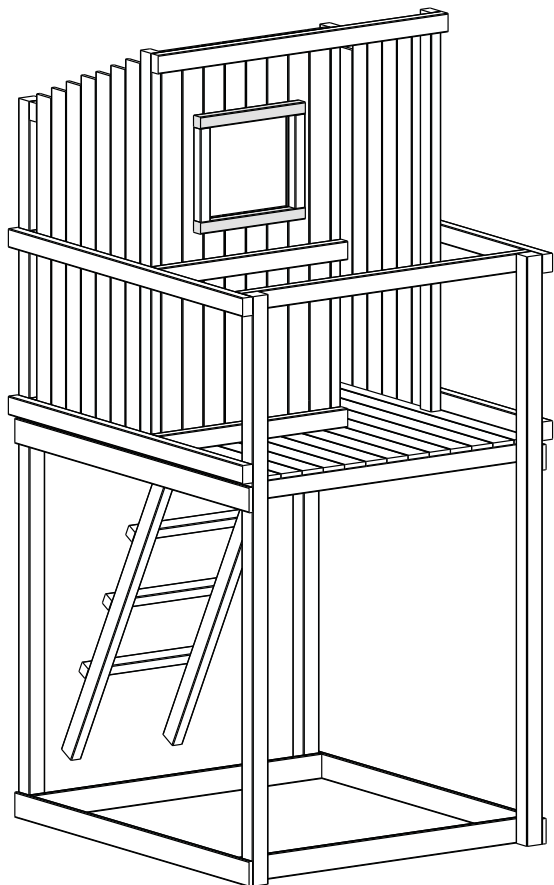






N 1x
45 3x

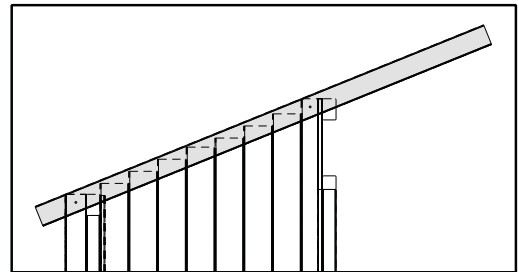
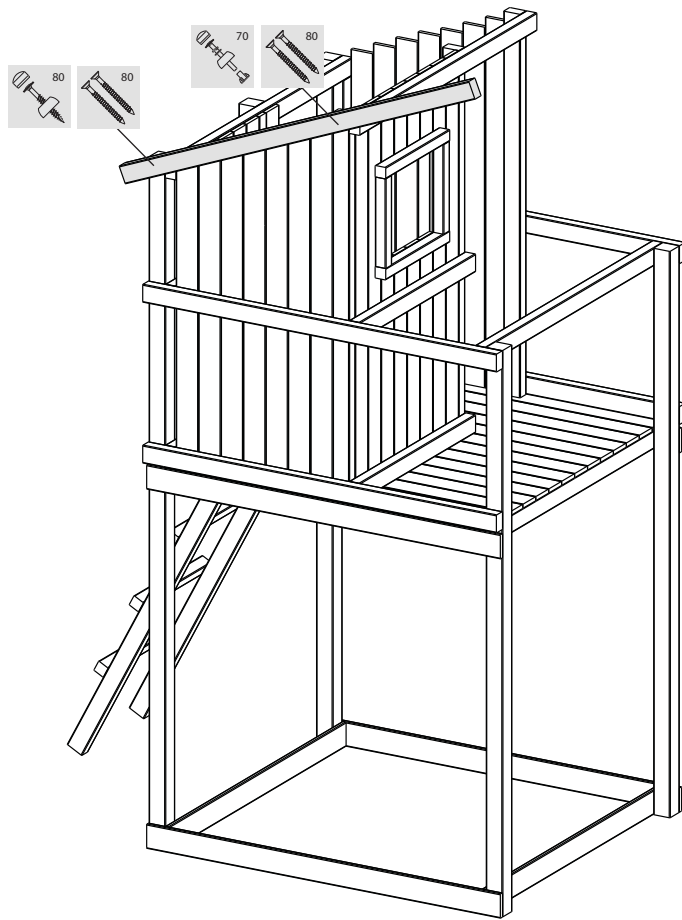
15b







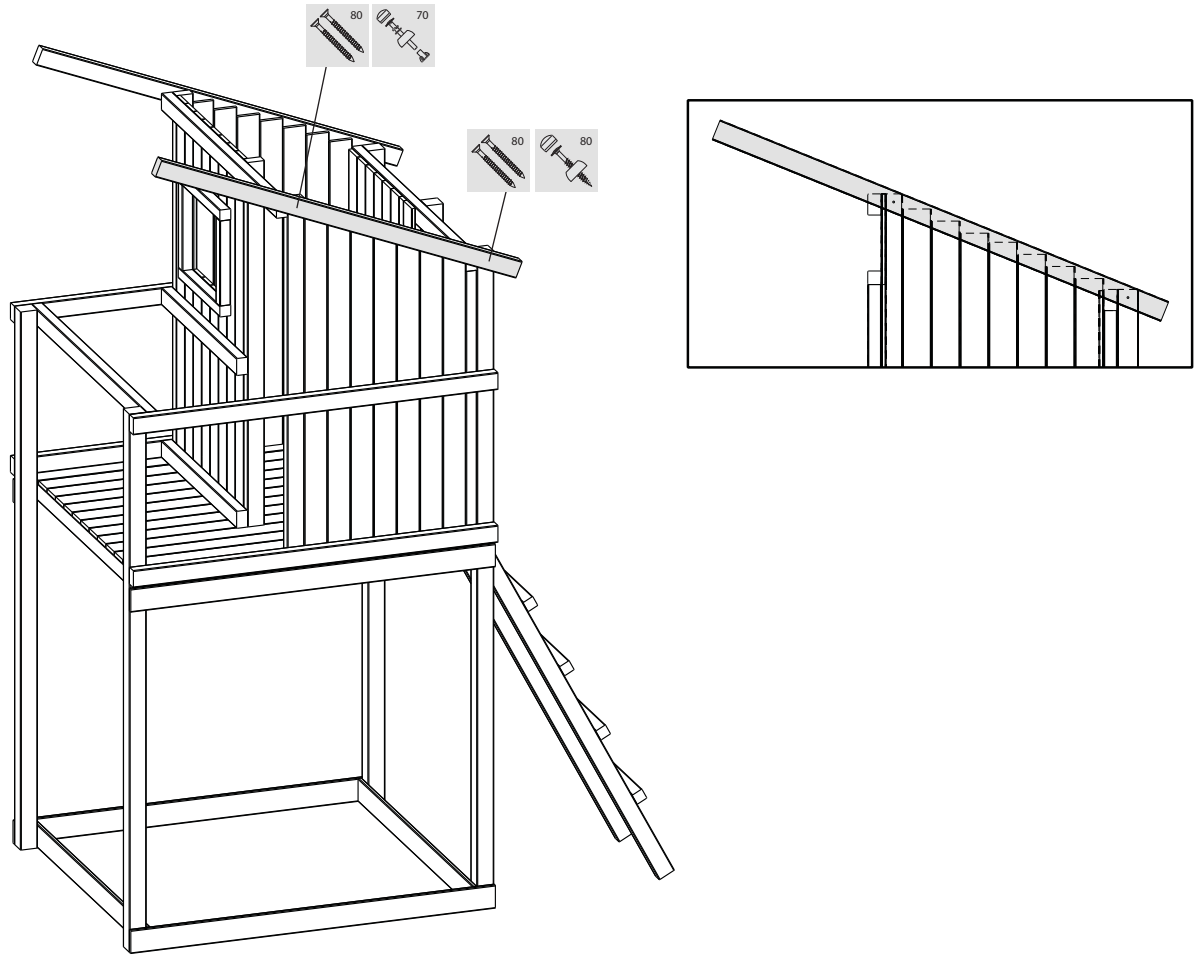
-  **2x**
-  **12x**





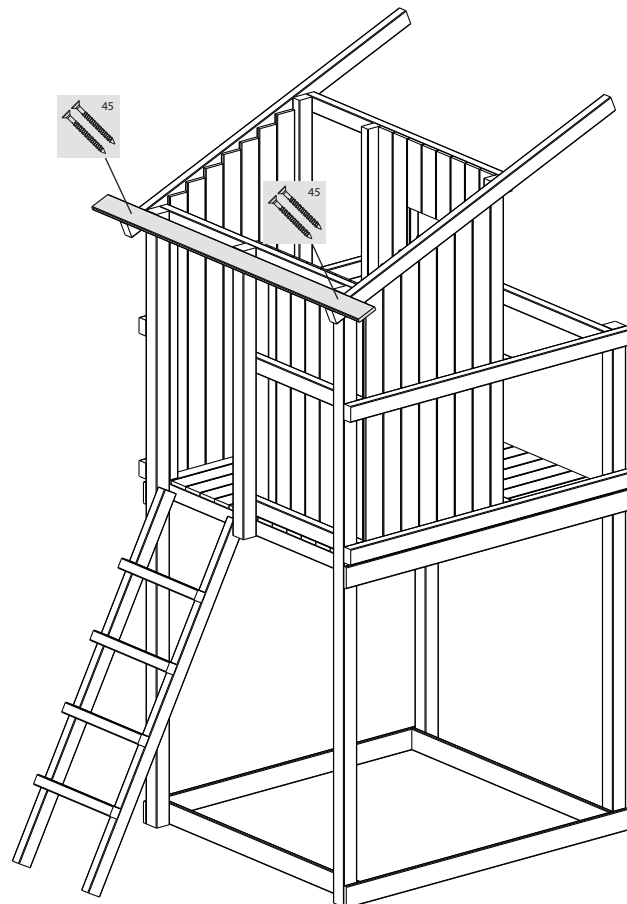
-  **1x**
-  **2x**
-  **1x**
-  **1x**





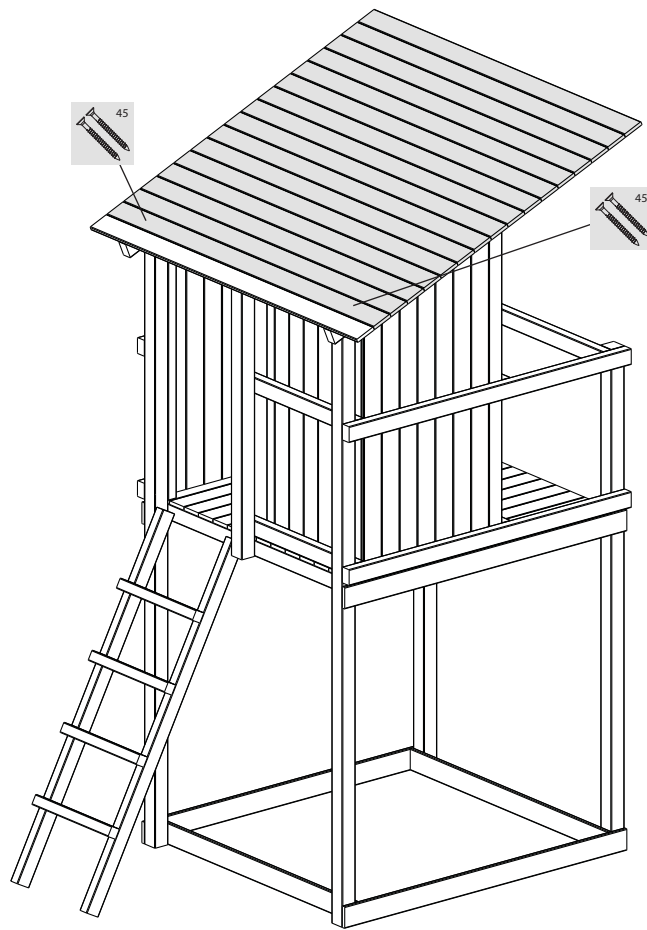
-  1x
-  2x
-  1x
-  1x





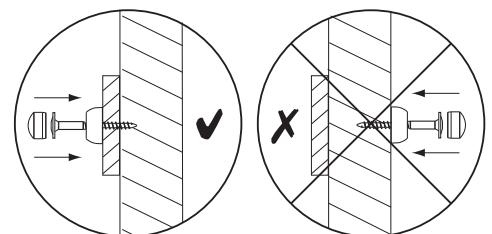
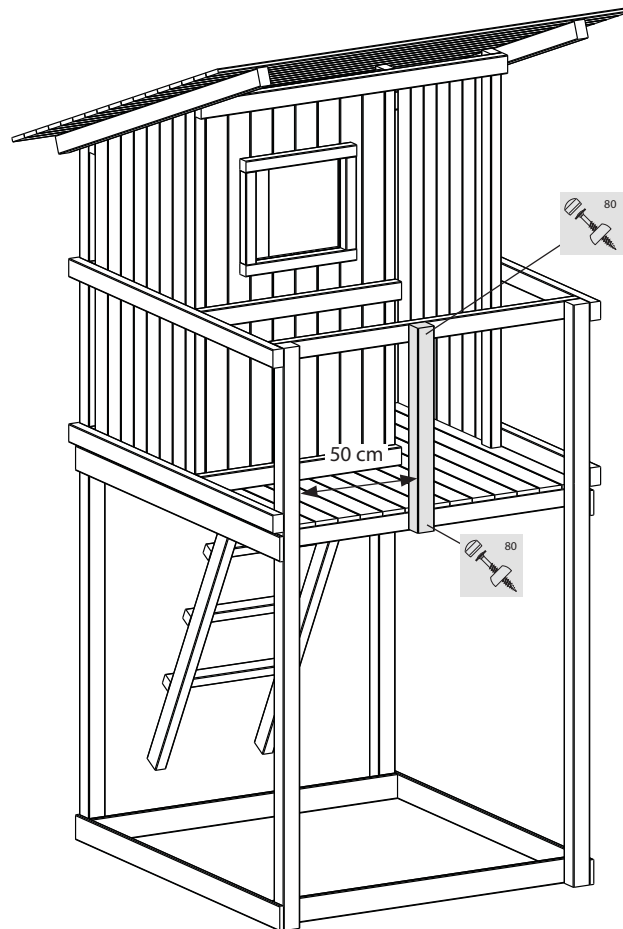
-  1x
-  2x





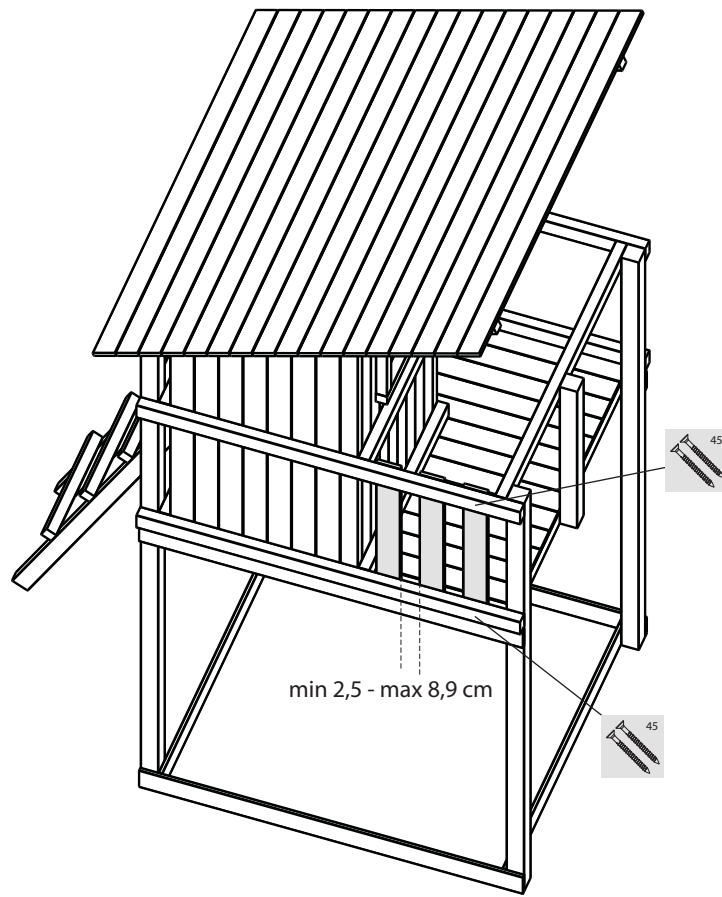
-  10x/16x
-  32x





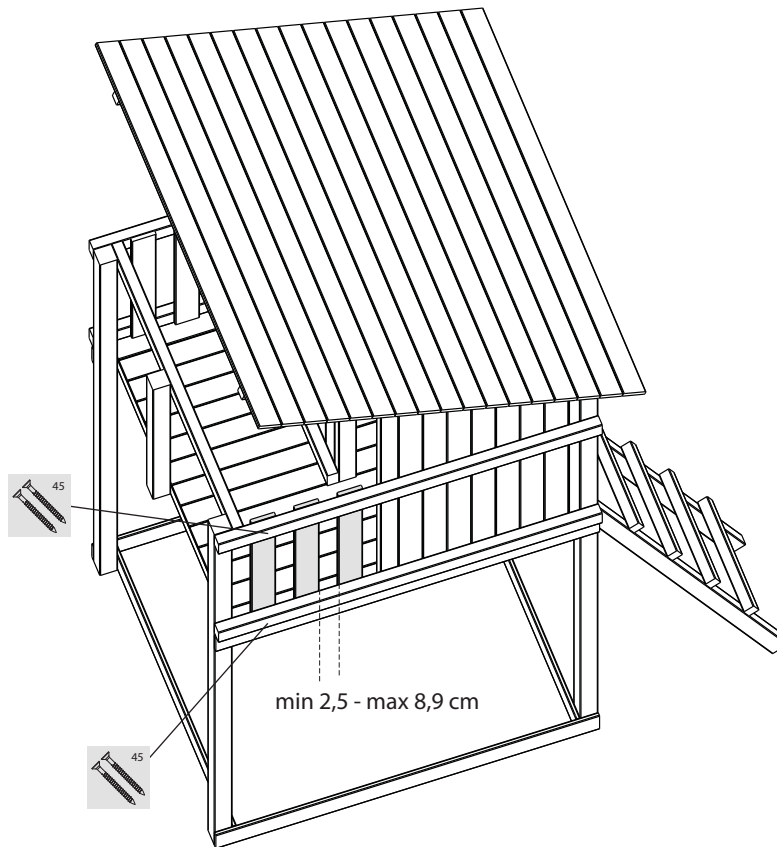
-  1x
-  2x



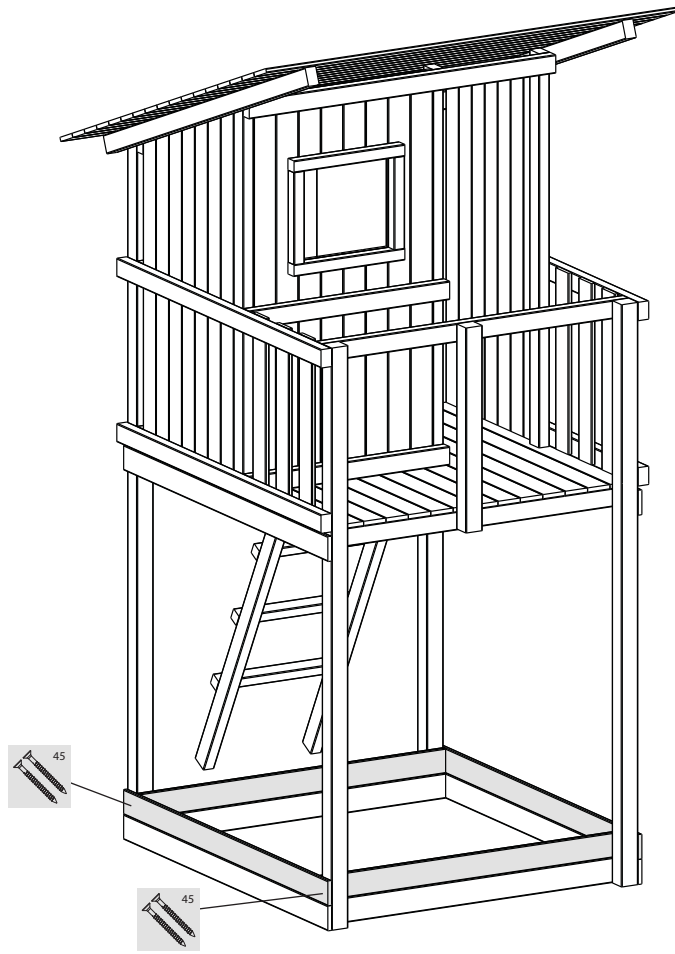
 **2x/3x**
 **6x**



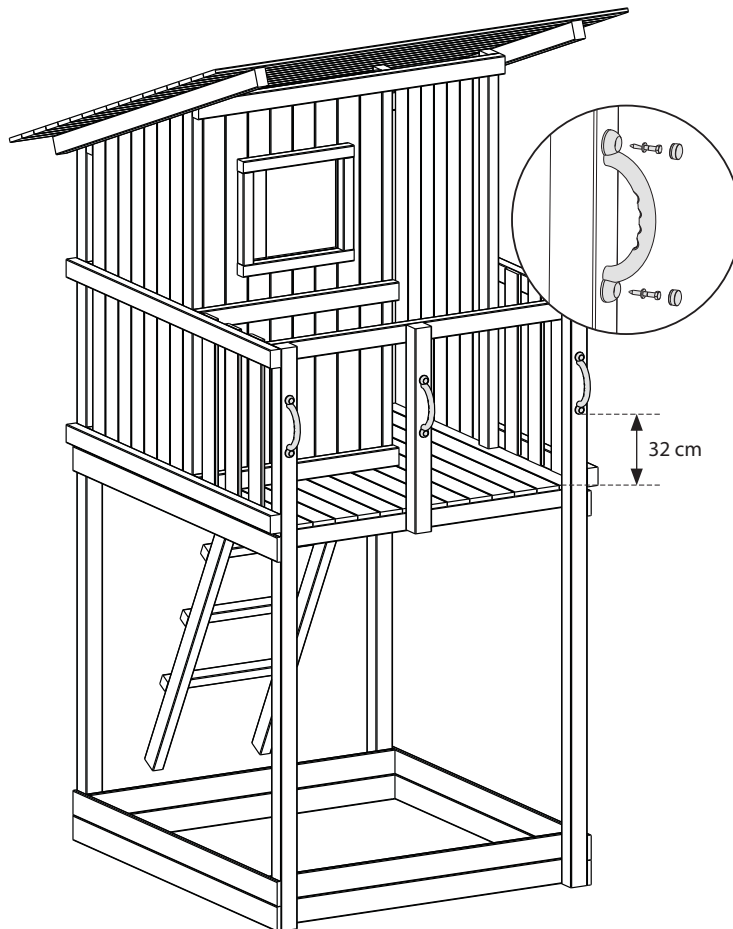
 **2x/3x**
 **6x**



-  **P** 2x
-  **R** 2x
-  ⁴⁵ **8x**



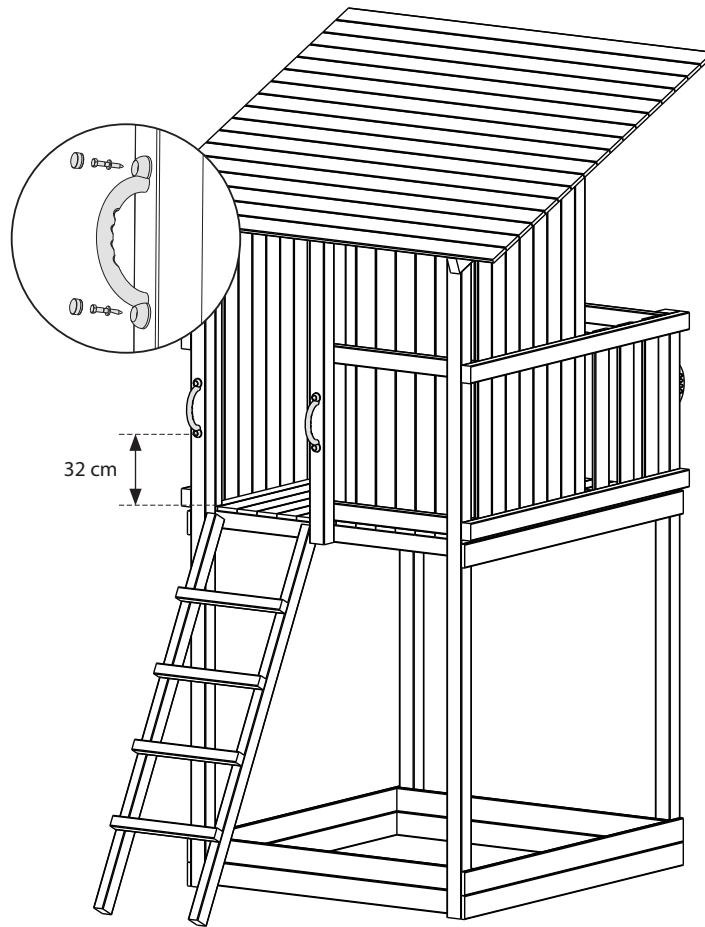
-  **3x**





2x

21b

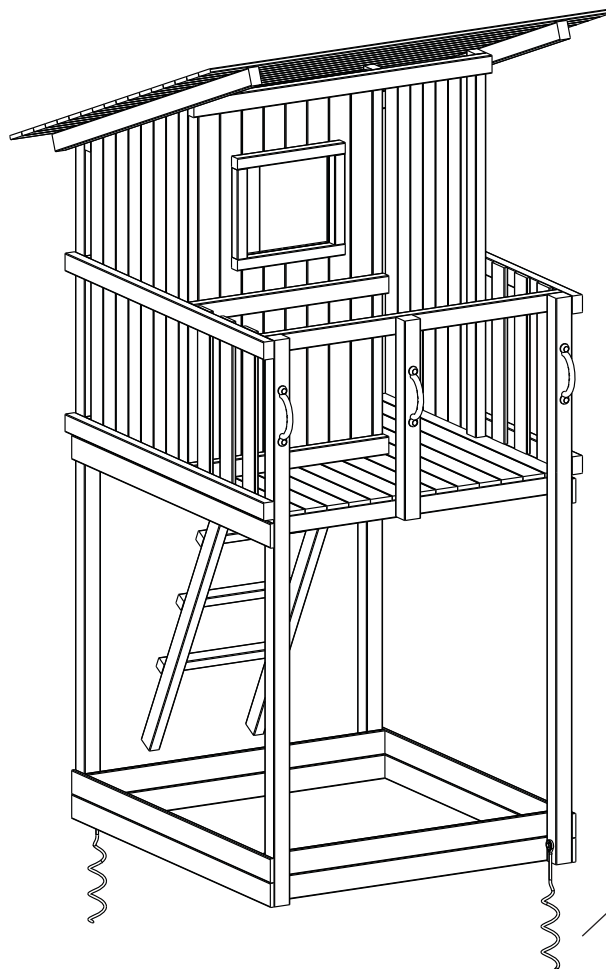



2x

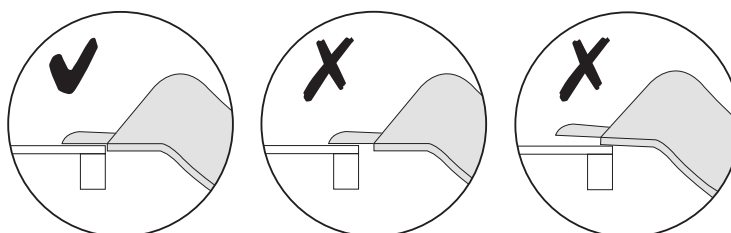
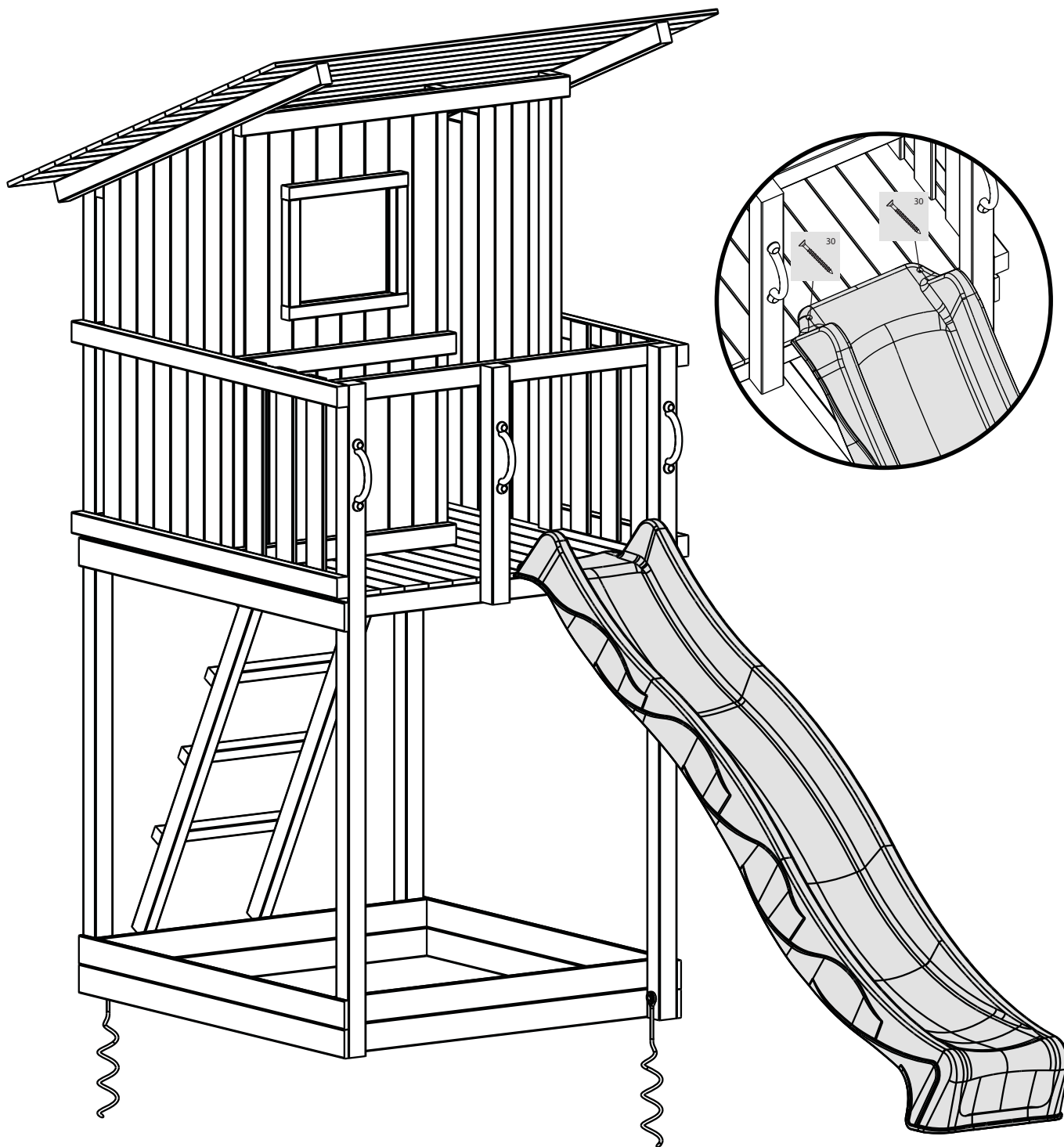


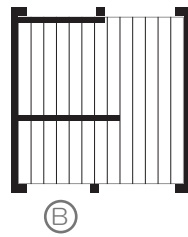
2x

22



-  1x
-  2x





+

slide
@wall
@ramp
@net
@bridge





Blue Rabbit 2.0®
Hemelrijken 8
B-2890 Sint-Amands
BELGIUM

www.bluerabbit.be