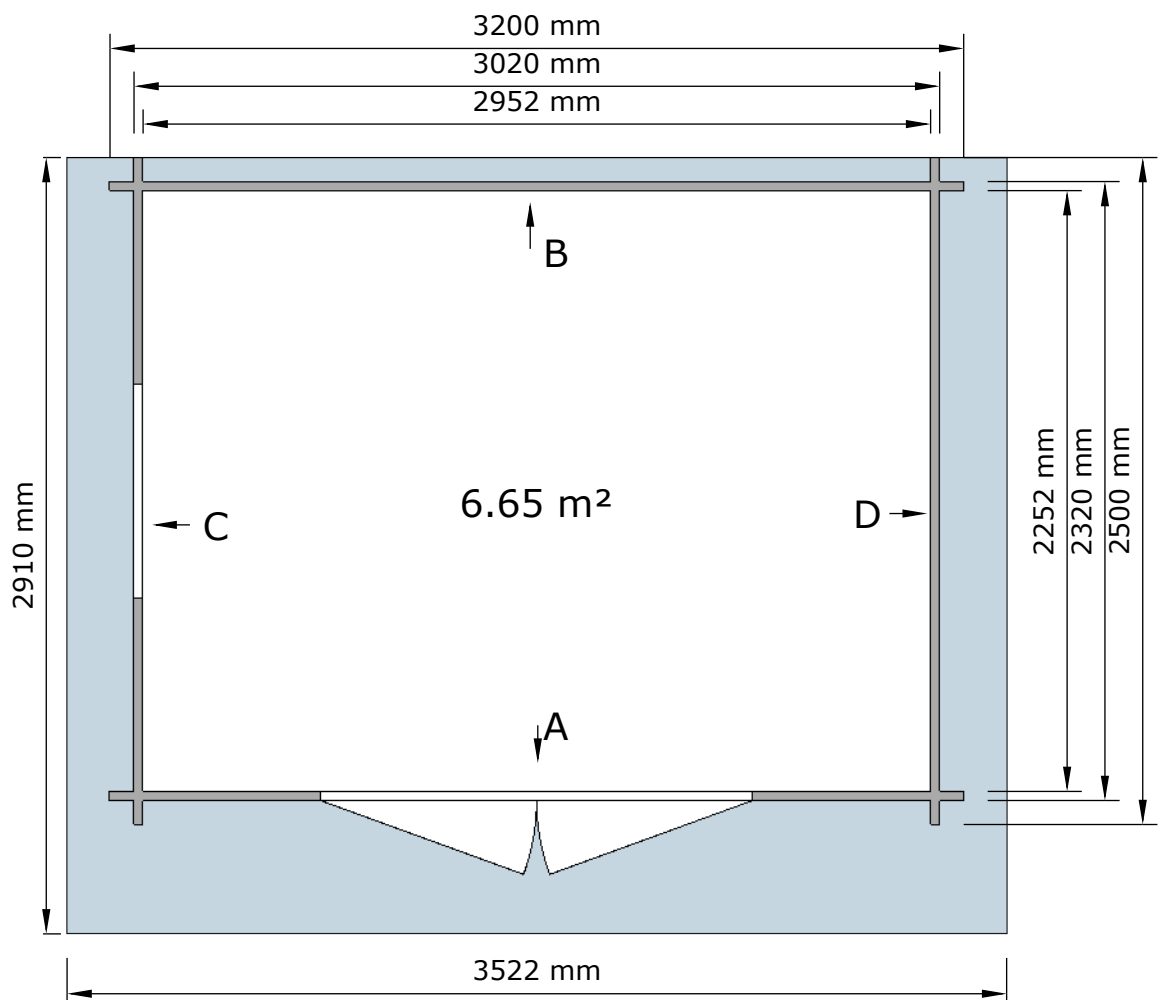
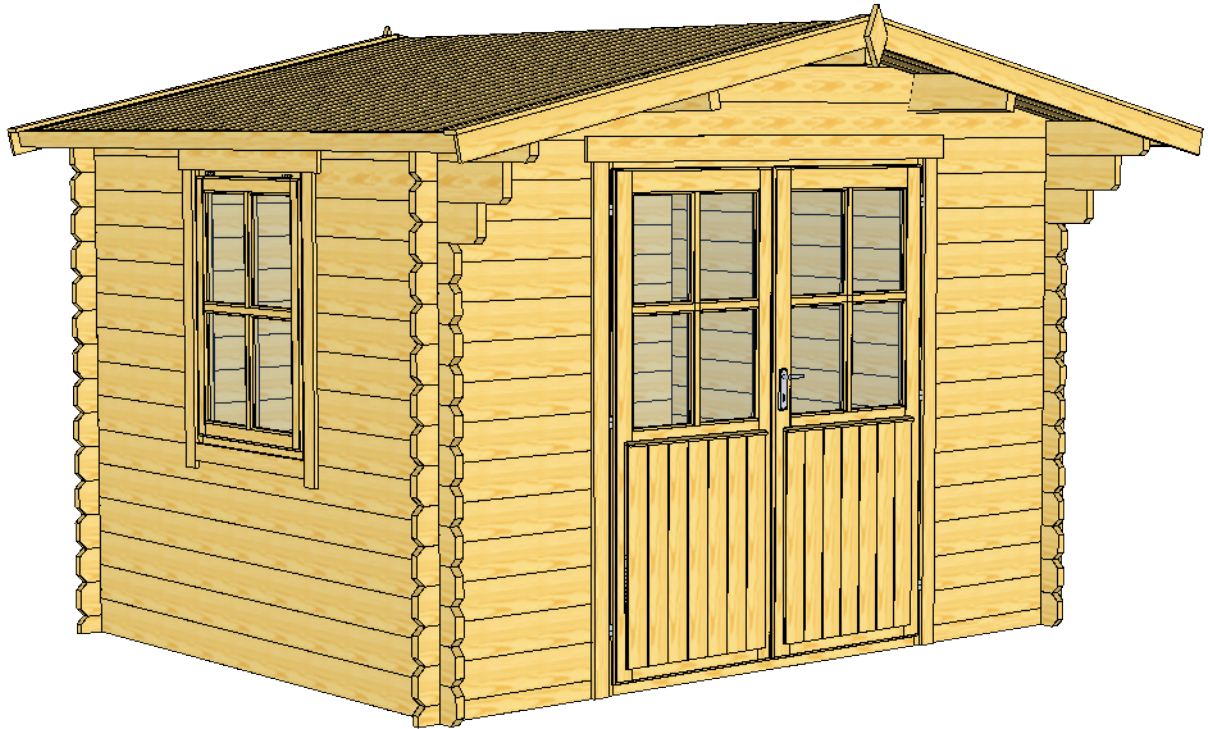
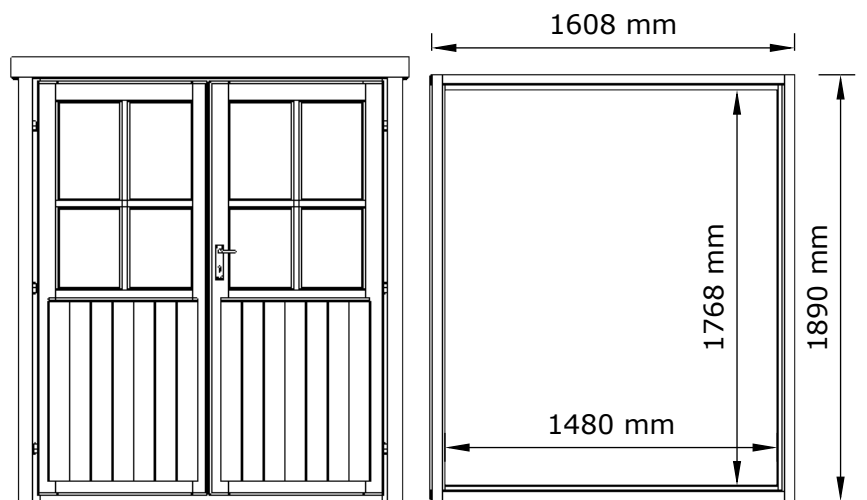
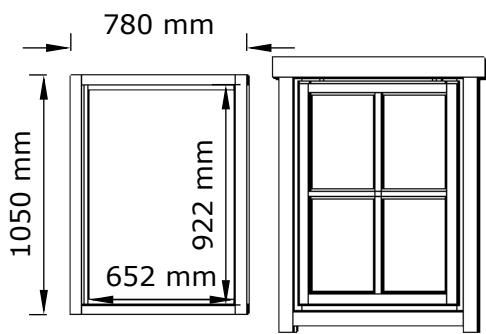
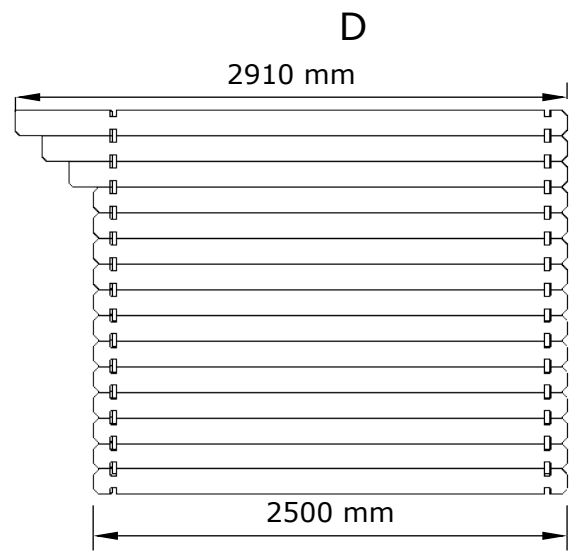
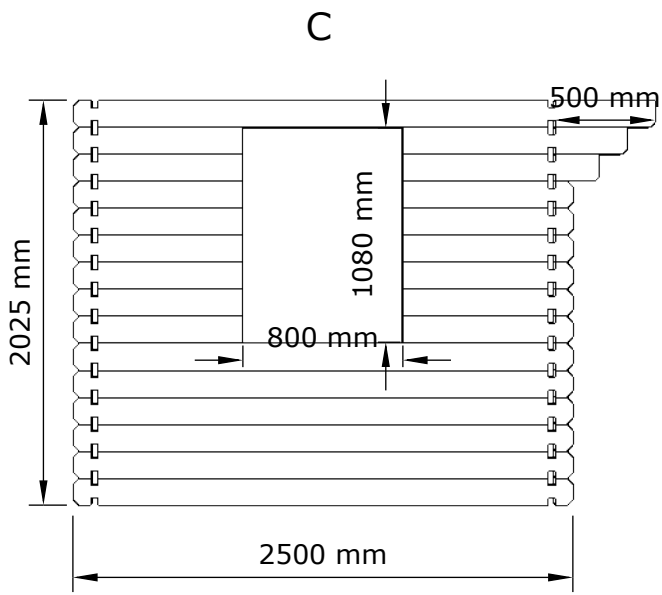
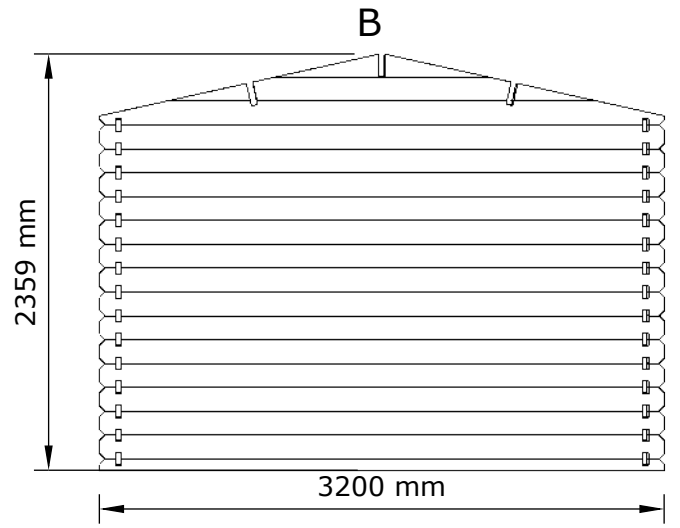
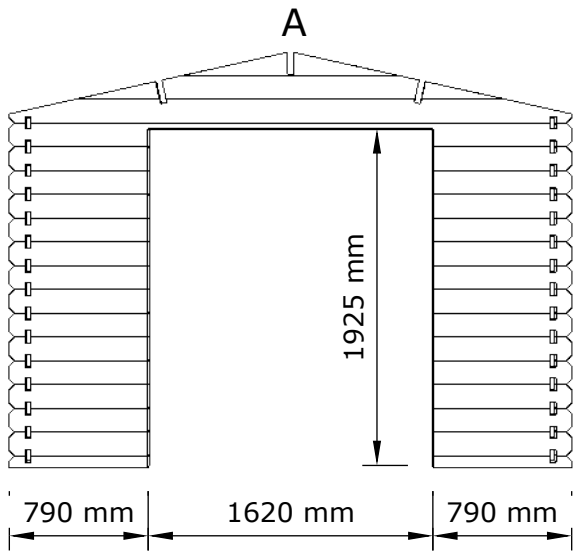


KOKO 2 (3,2x2,5)

Manual





Koko 2 (3,2x2,5) LIST 34mm

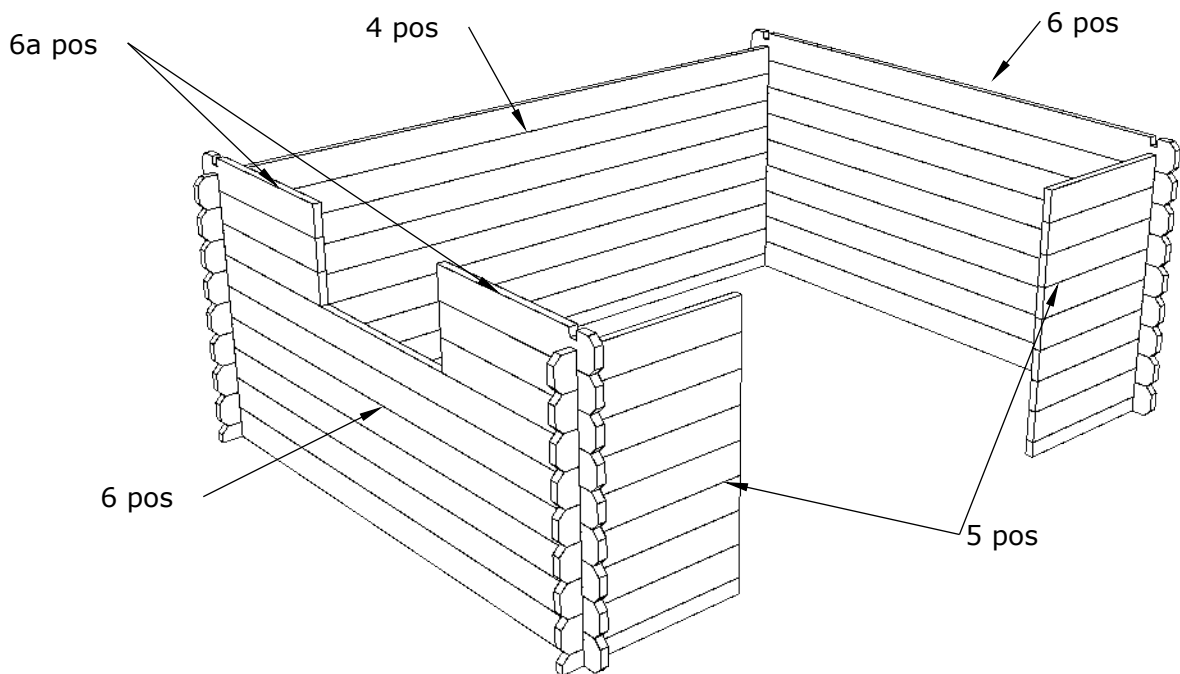
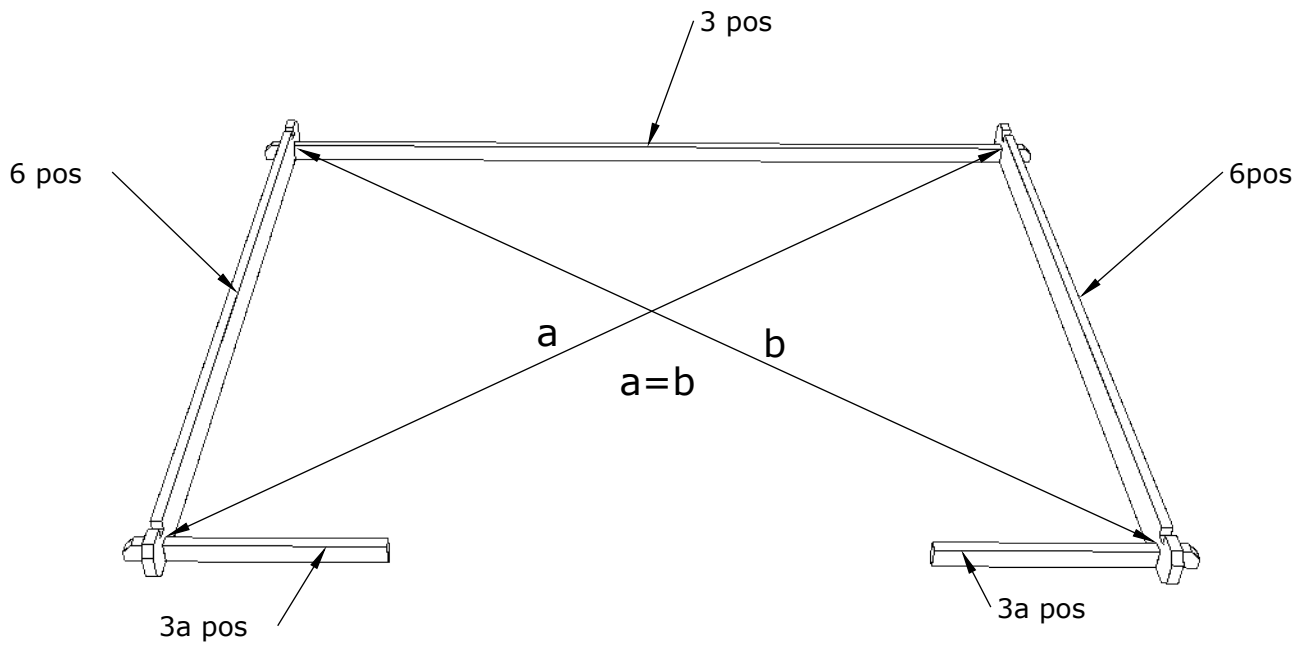
Pos	Size, mm h x b x l			Quantity		Destination
3	34	67,5	3200	1		Wall B
3a	34	67,5	790	2		Wall A
4	34	135	3200	14		Wall B
4.1	34	135	3200	1		Wall A
5	34	135	790	26		Wall A
6	34	135	2500	18		Wall C,D
6a	34	135	850	14		Wall C
7	34	135	980	1		Wall C
7a	34	135	2630	1		Wall D
7b	34	135	1120	1		Wall C
7c	34	135	2770	1		Wall D
7d	34	135	2910	2+1		Wall C,D
8	34	405	3200	2		Vault
9	44	140	2910	1		Rafter
9a	44	140	2910	2		Rafter
10	16	90	1800	66+1		Roof board
11	16	90	1850	4		Wind board
11a	16	65	1850	4		Wind board
12	16	90	1455	4		Roof board
13				1		Diamond
15	16	65	1120	4		
15a	16	90	990	2		
15b	16	65	750	2		
16	16	65	1890	4		
16a	16	90	1760	2		
18				1		1xWindow
19				1		2xDoor

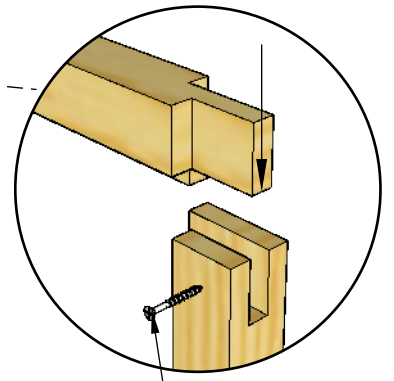
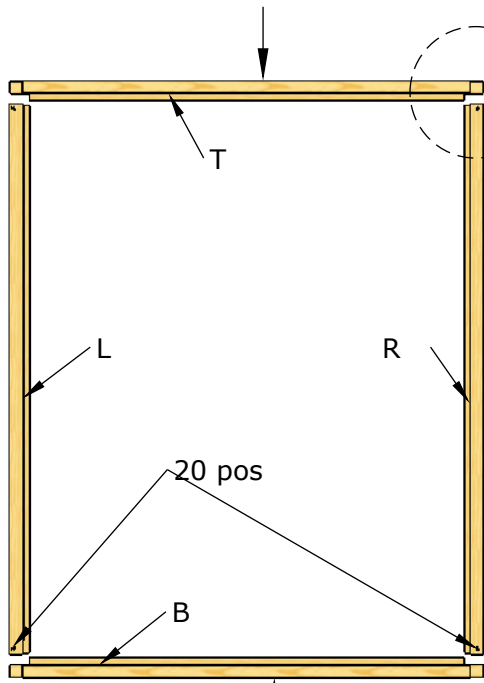
Recommendations.

It is recommended to install a ventilation system in the house.

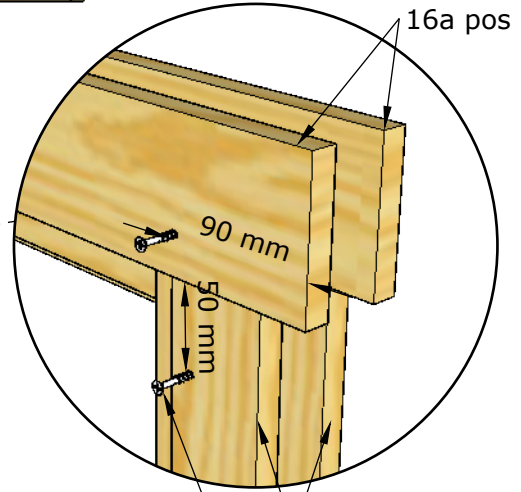
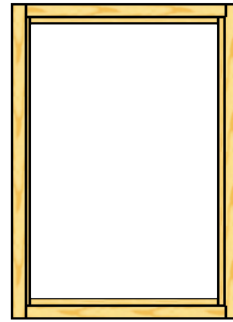


Assembly of the house requires at least minimum knowledge in the field of assembly of wood products. Otherwise, we recommend hiring a specialist.





Screw 3.5x40*



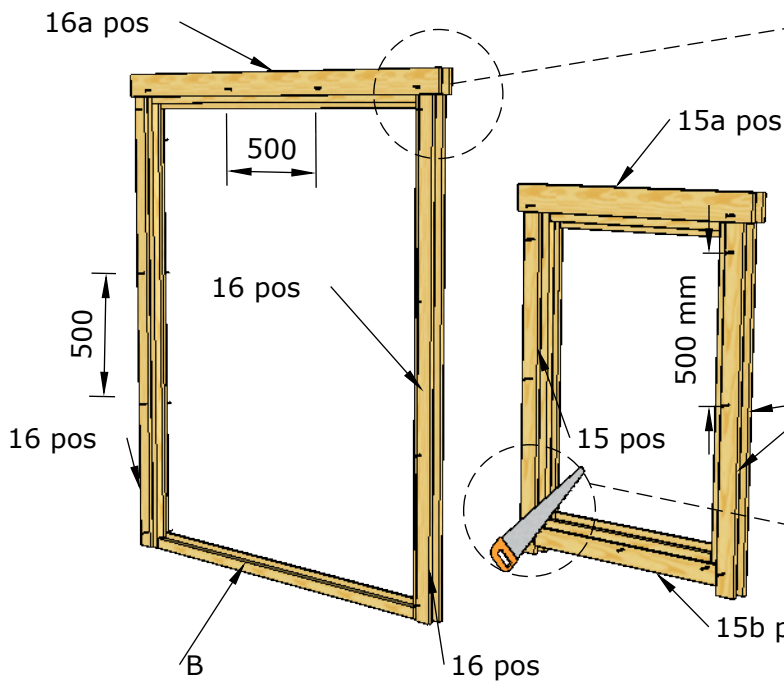
16a pos

90 mm

50 mm

16 pos

Screw 3.5x35*



16a pos

500

16 pos

500

16 pos

B

16 pos

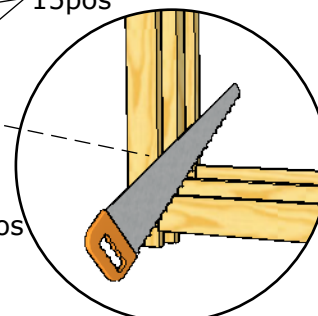
15a pos

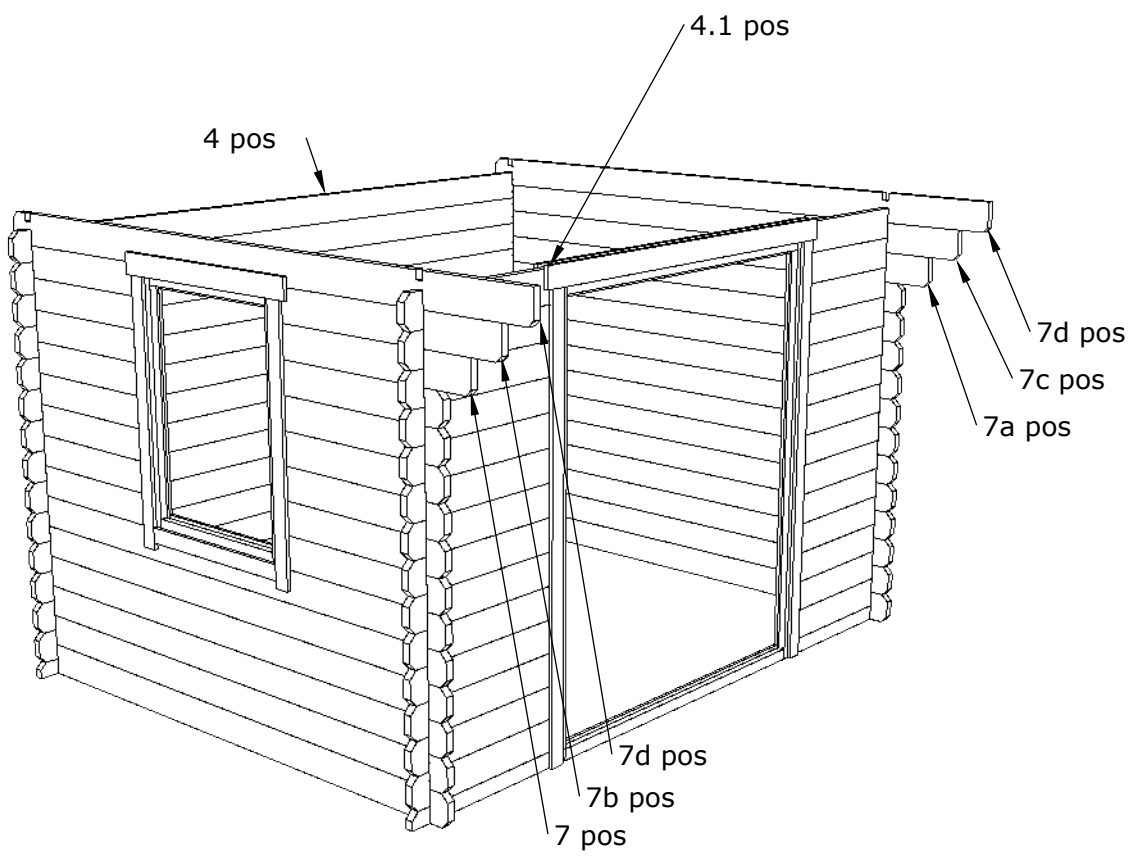
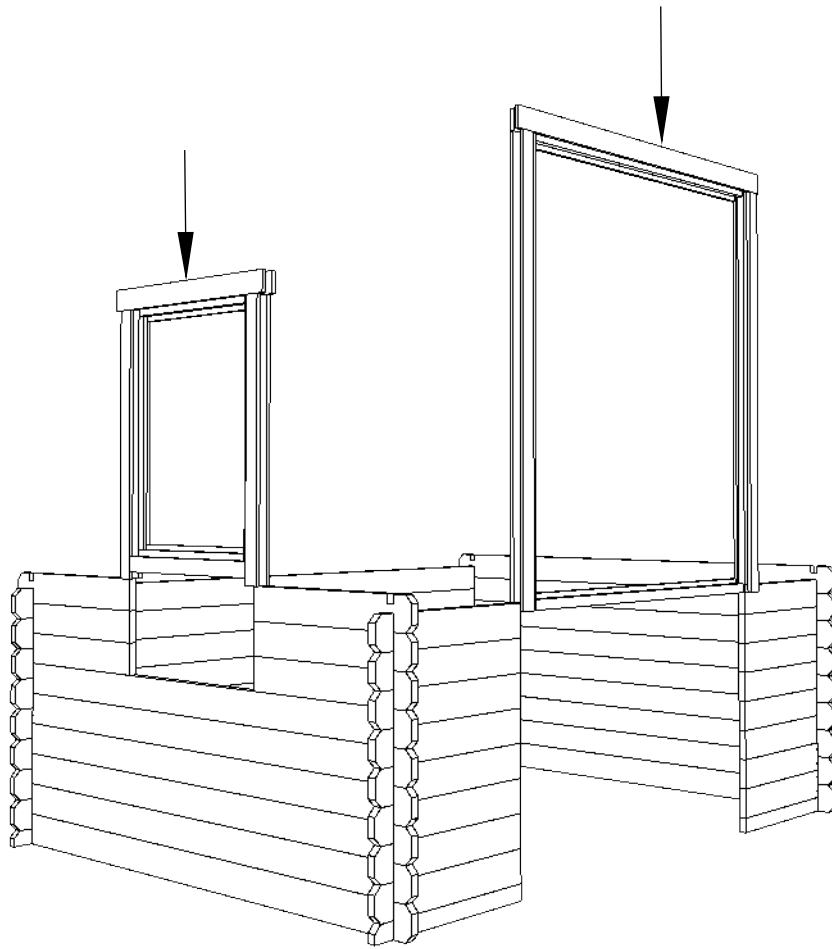
500 mm

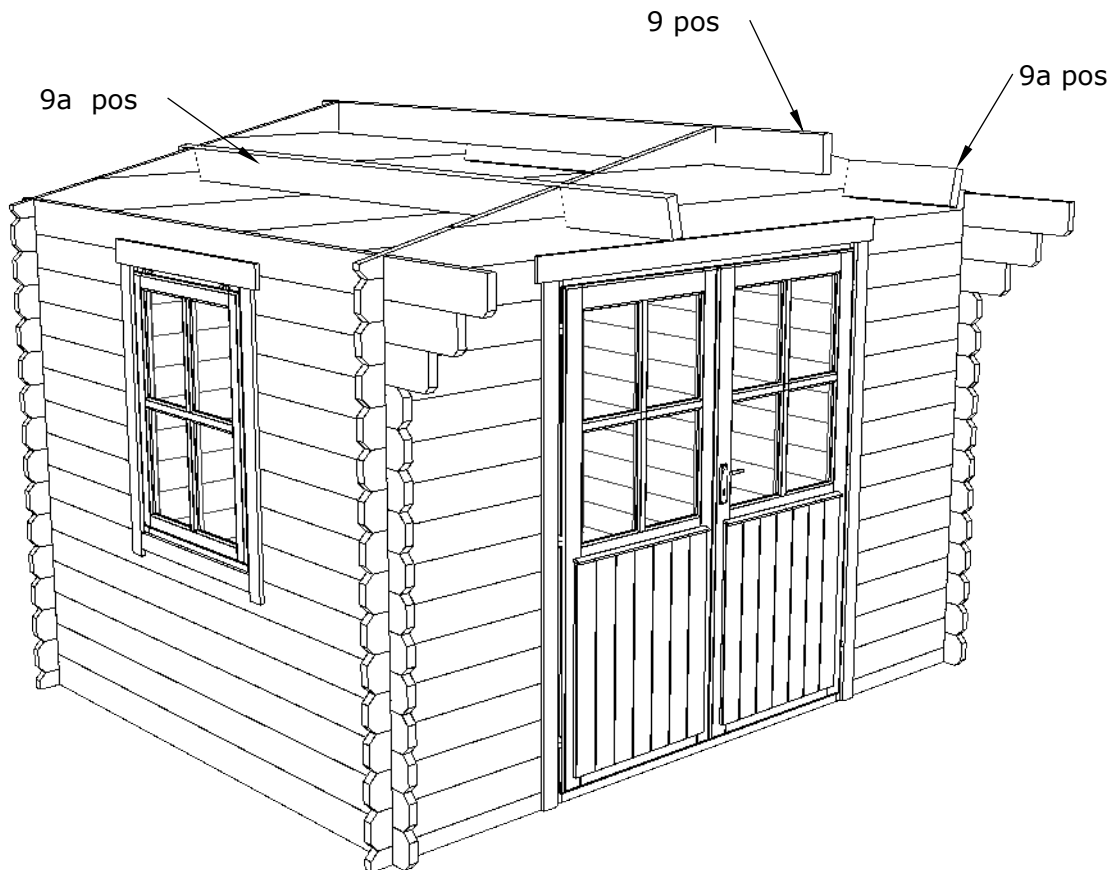
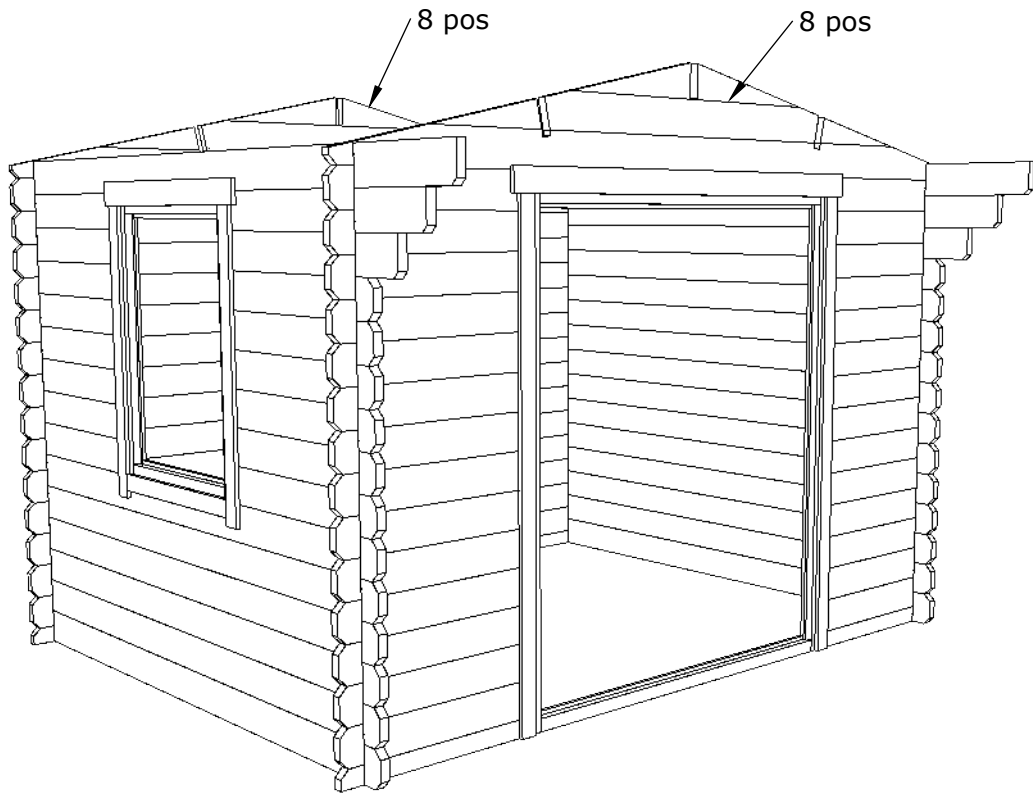
15 pos

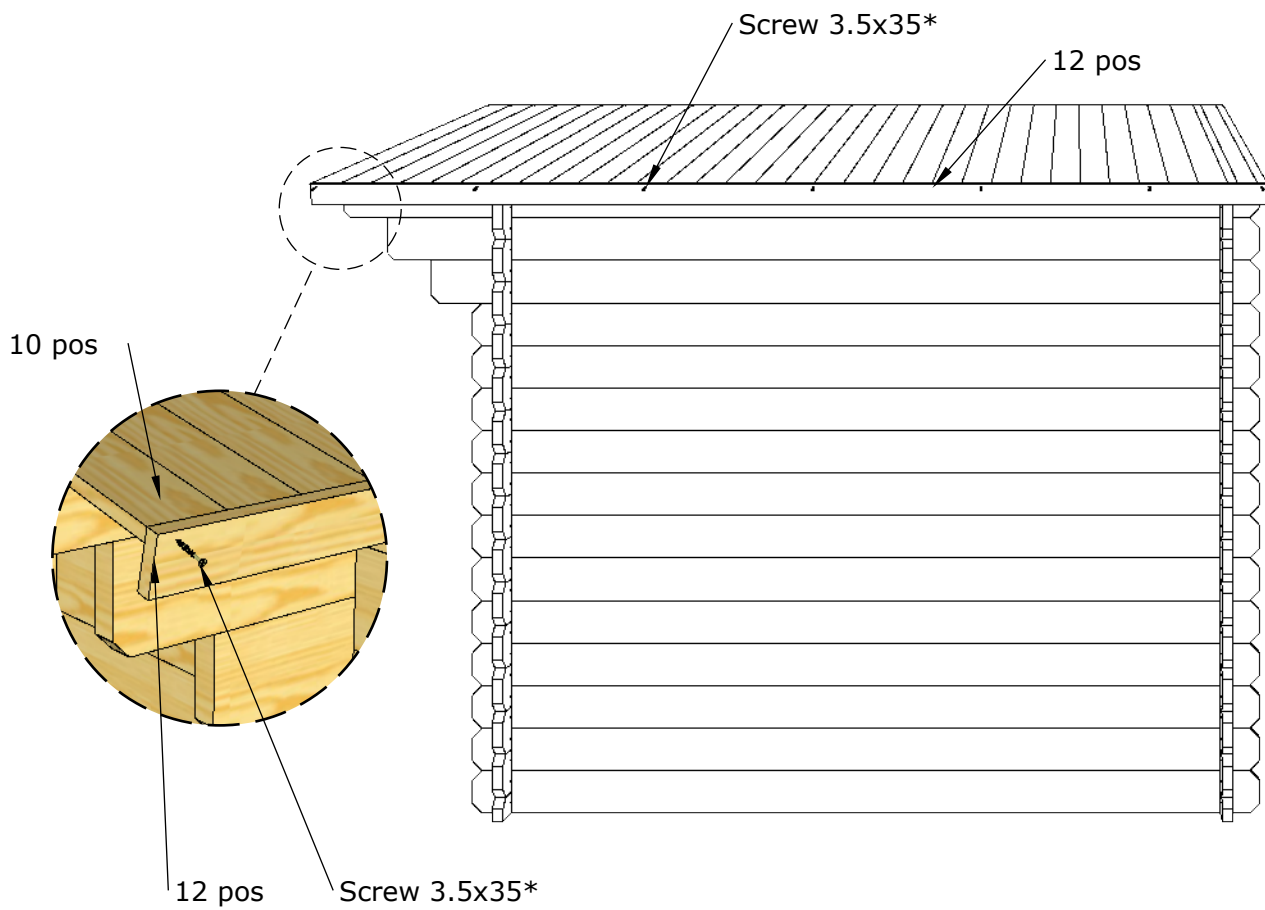
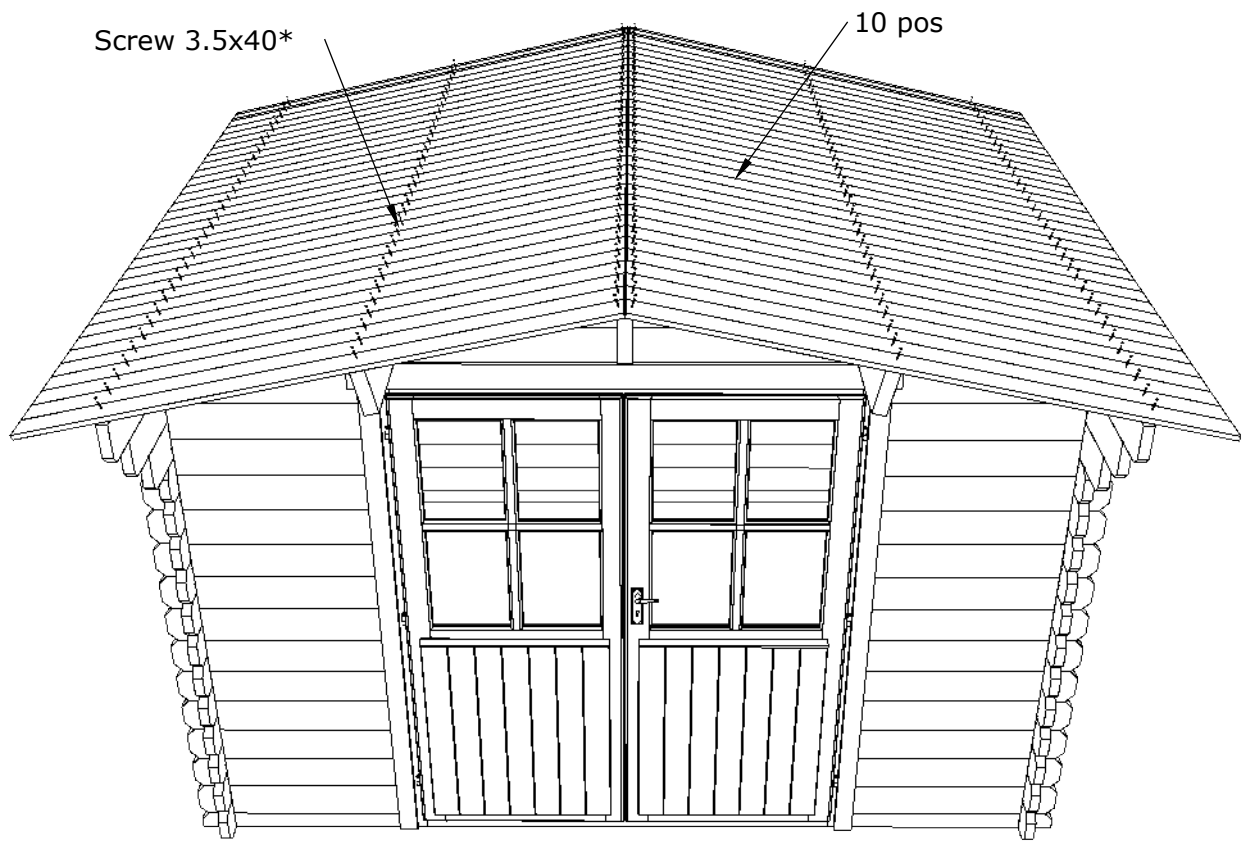
15pos

15b pos

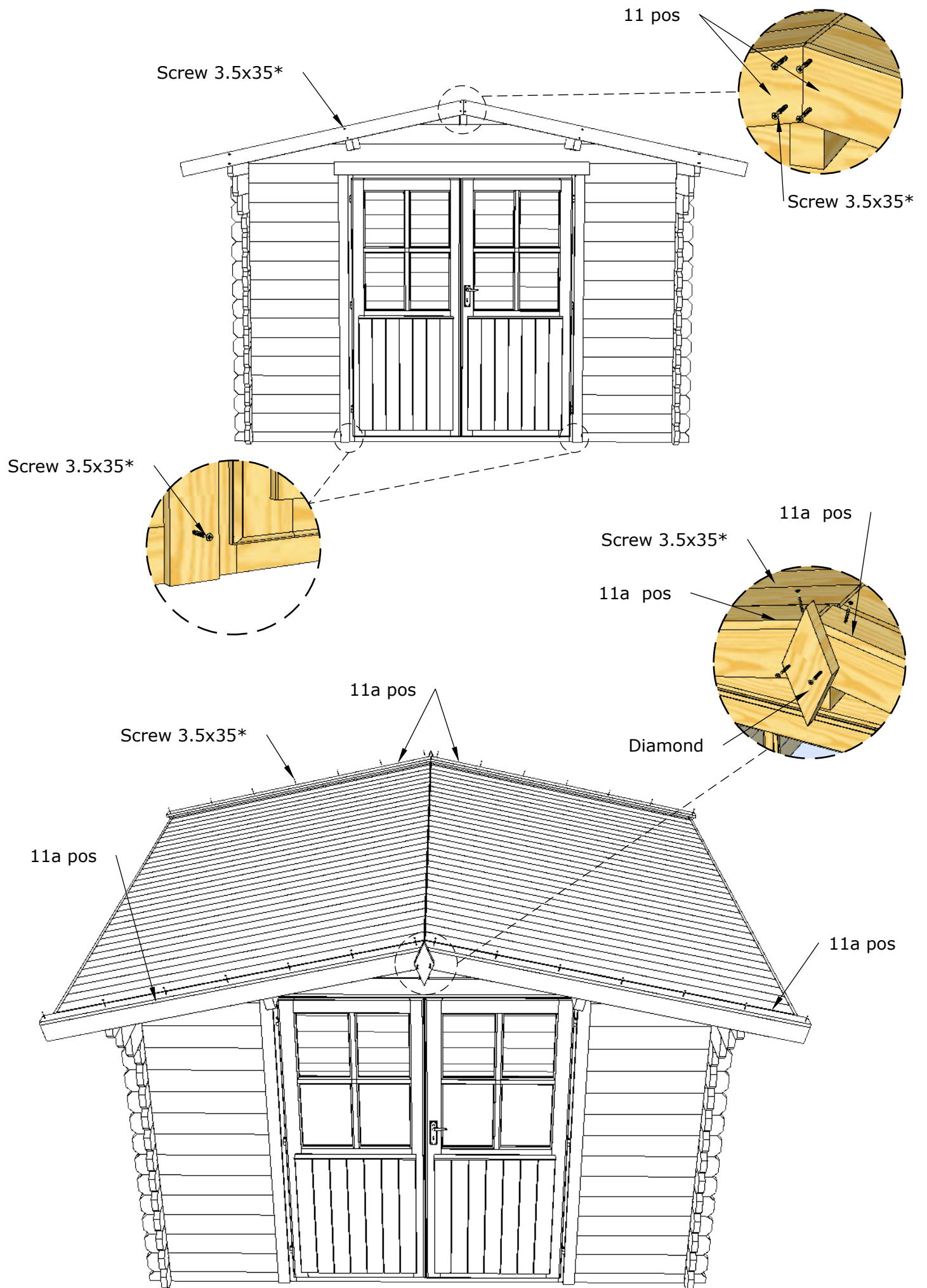








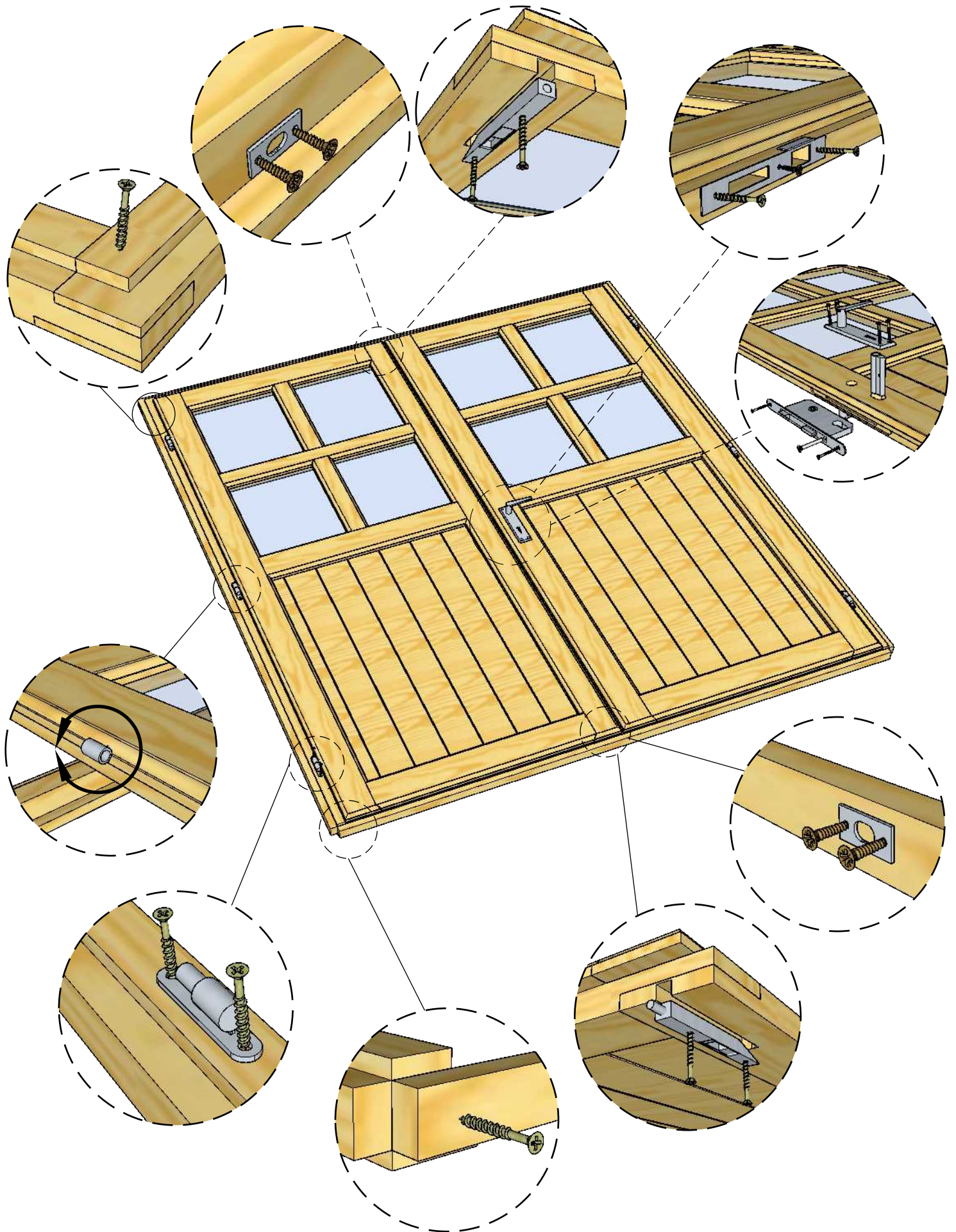
* - Screws are not included in the package



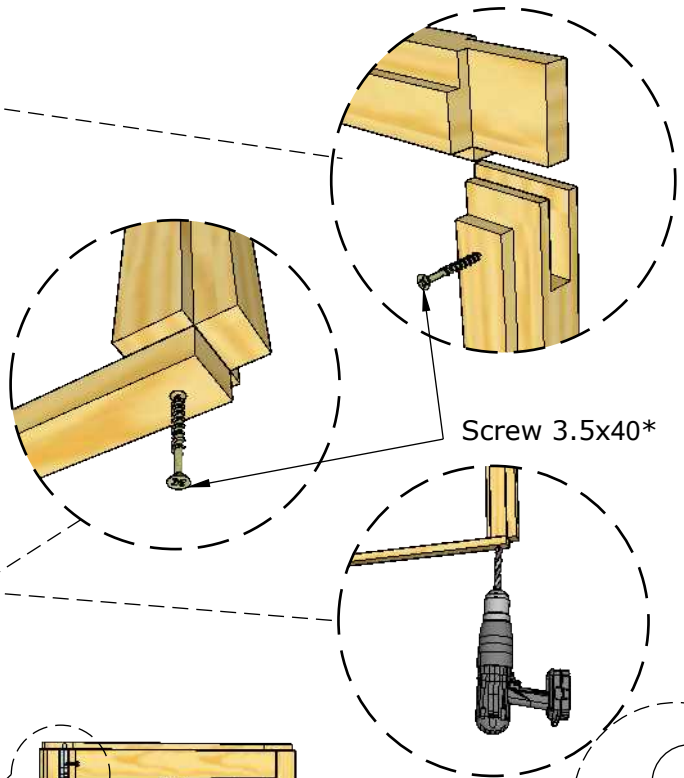
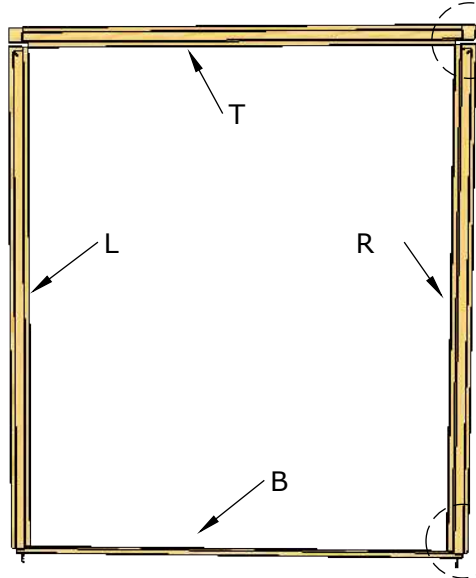
* - Screws are not included in the package

Die Anleitung ist illustrativ. Dieses Handbuch ist keine Projektspezifikation.

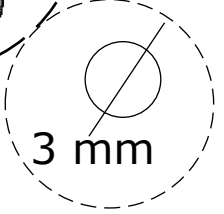
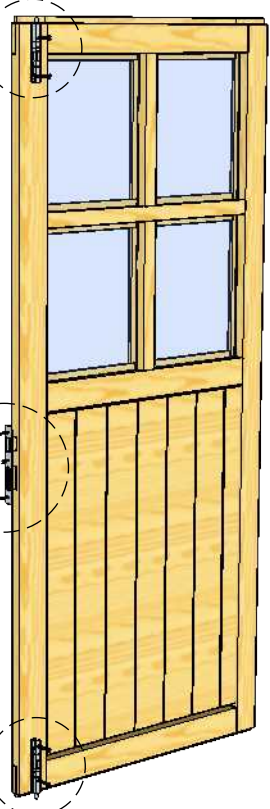
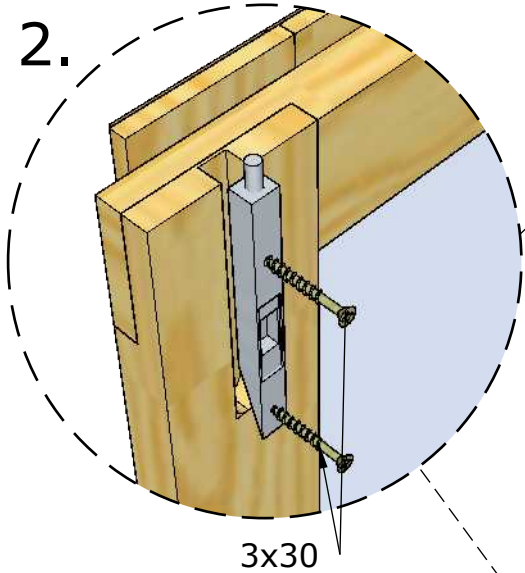
Door assembly



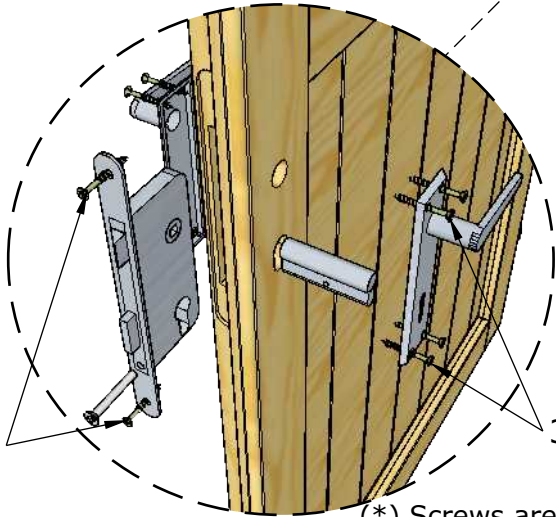
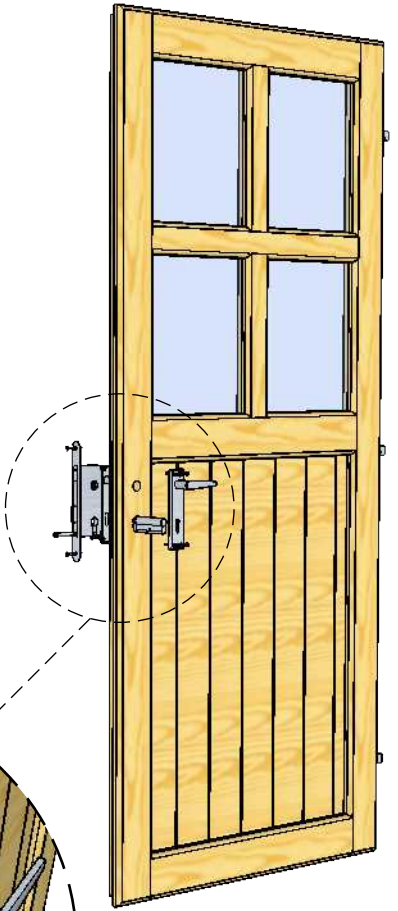
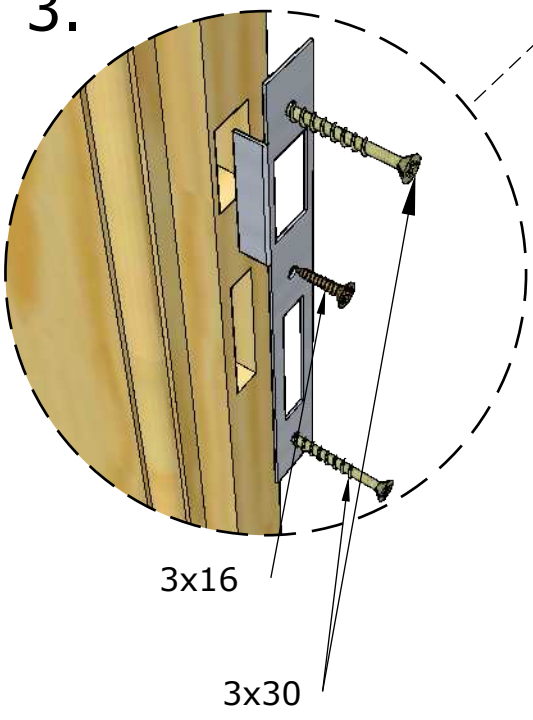
1.



2.

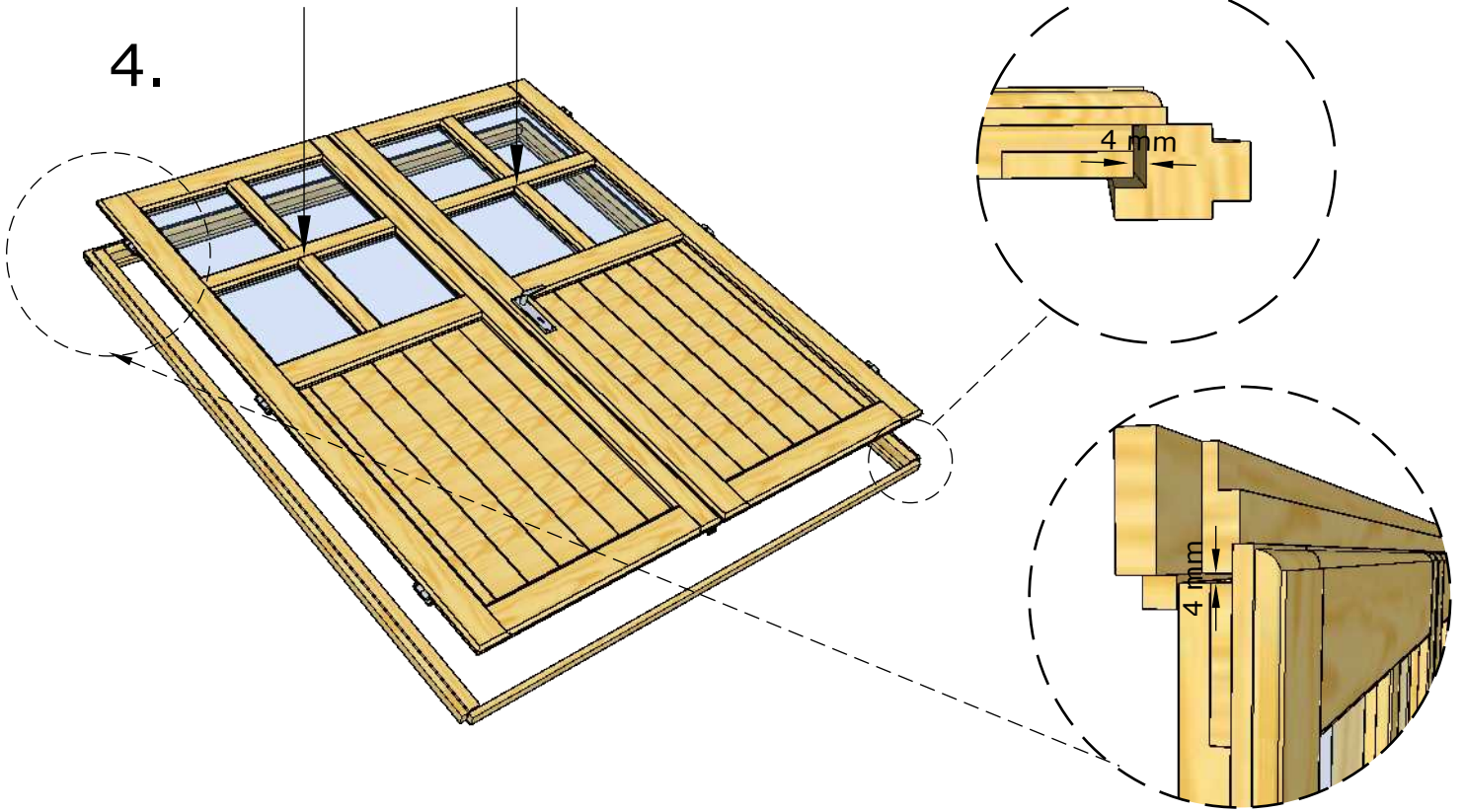


3.

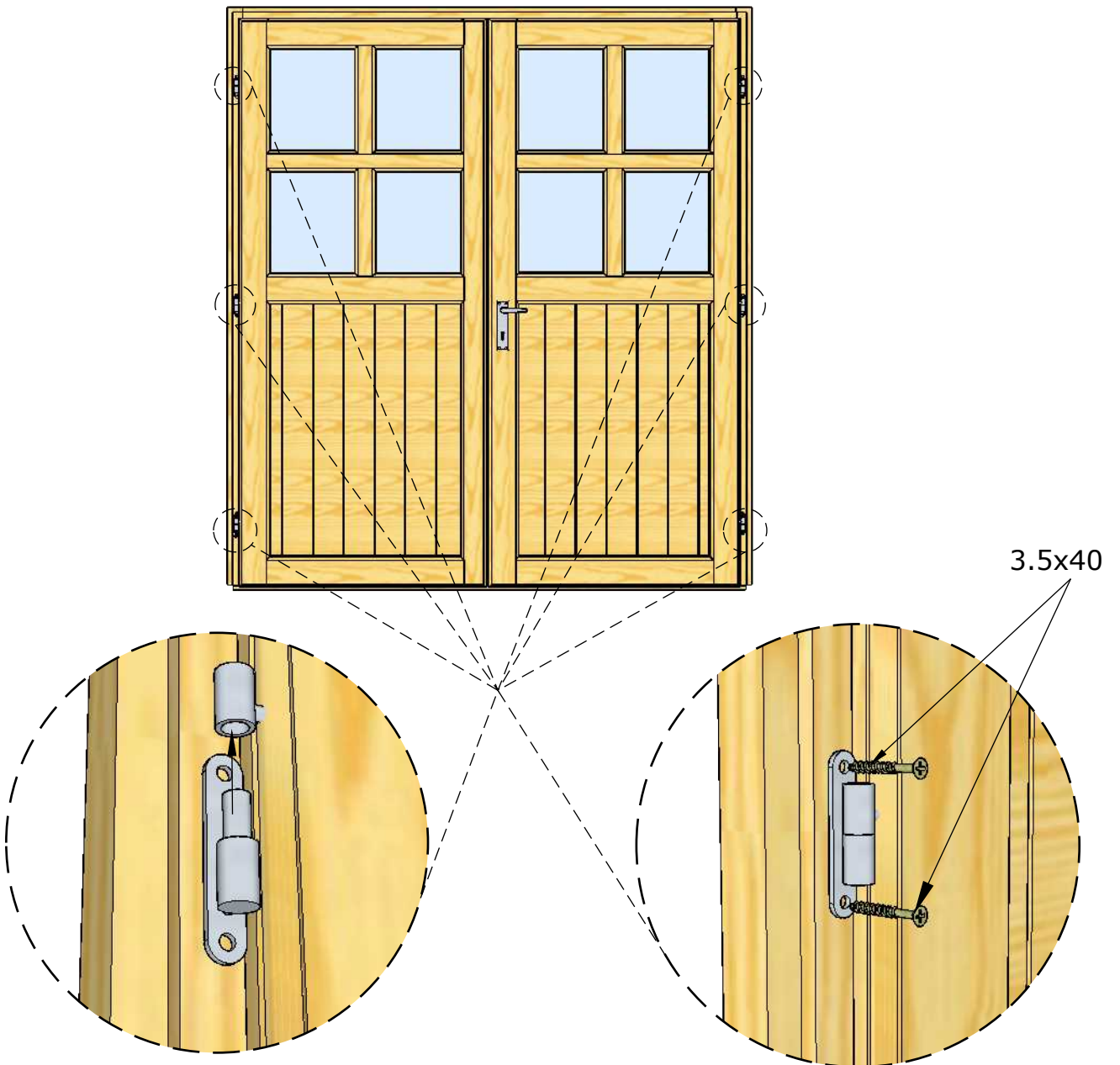


(*) Screws are not included in the package

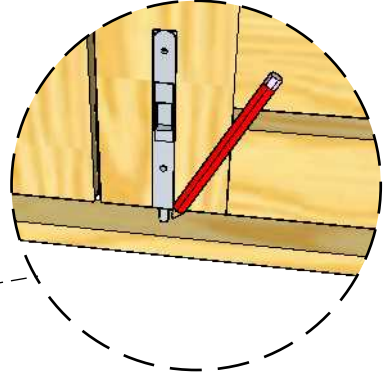
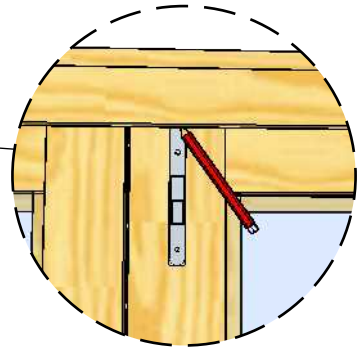
4.



5.

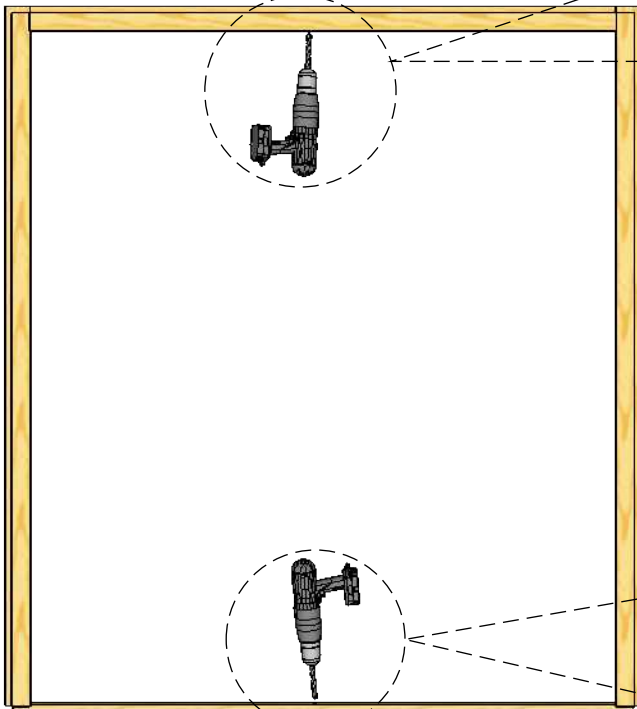
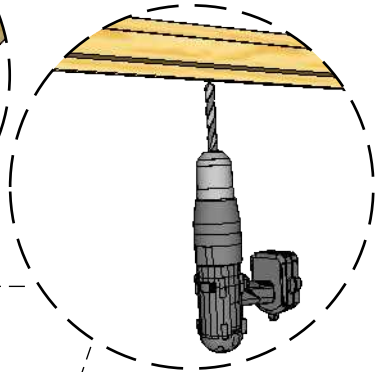
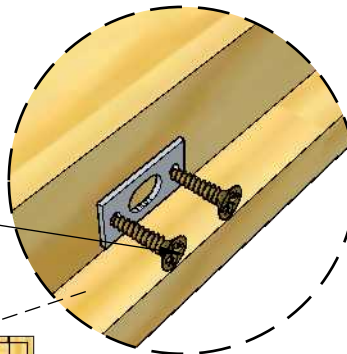


6.

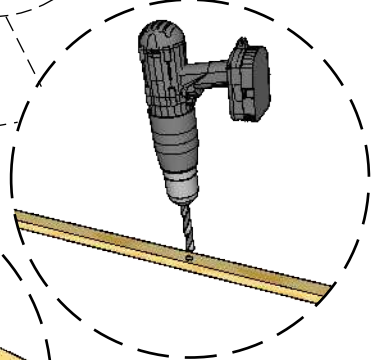
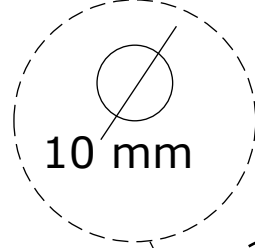


7.

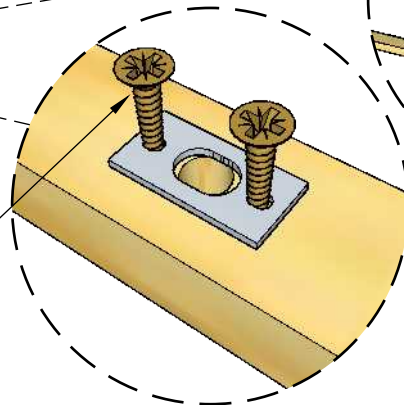
2.5x10

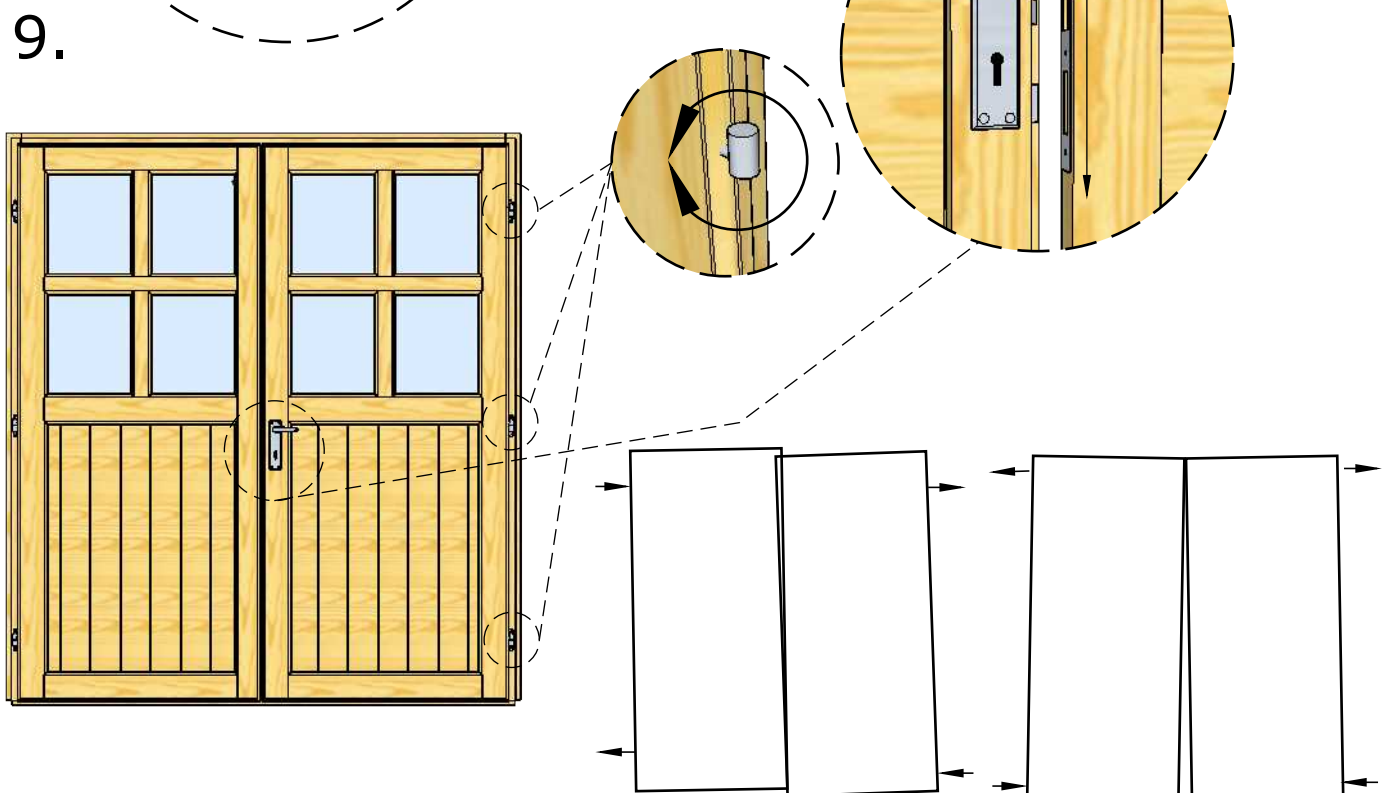
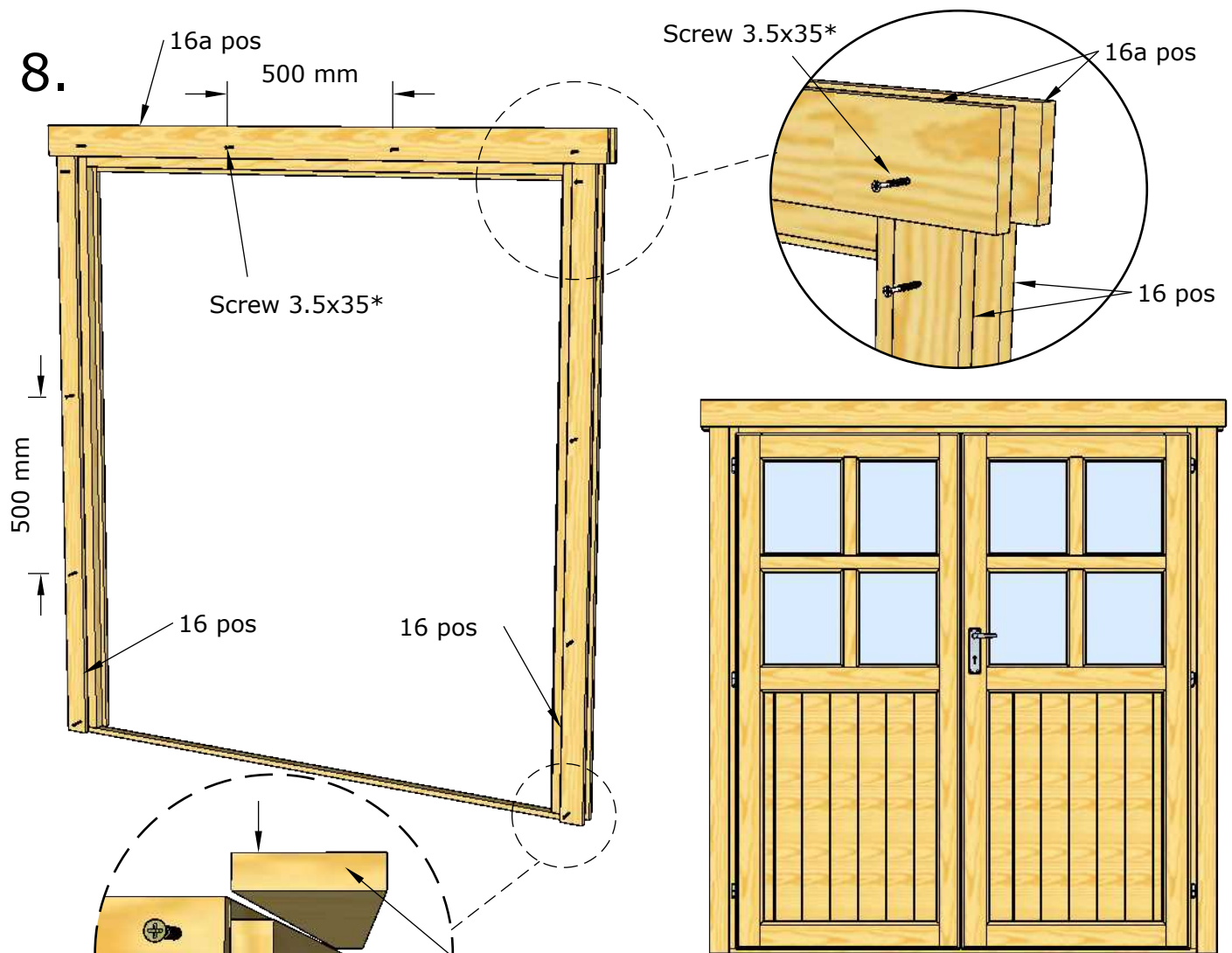


10 mm

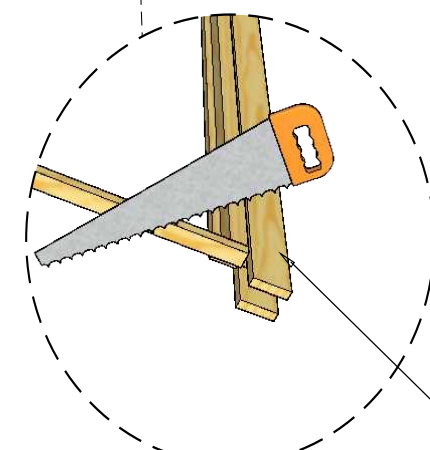
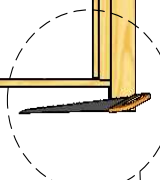
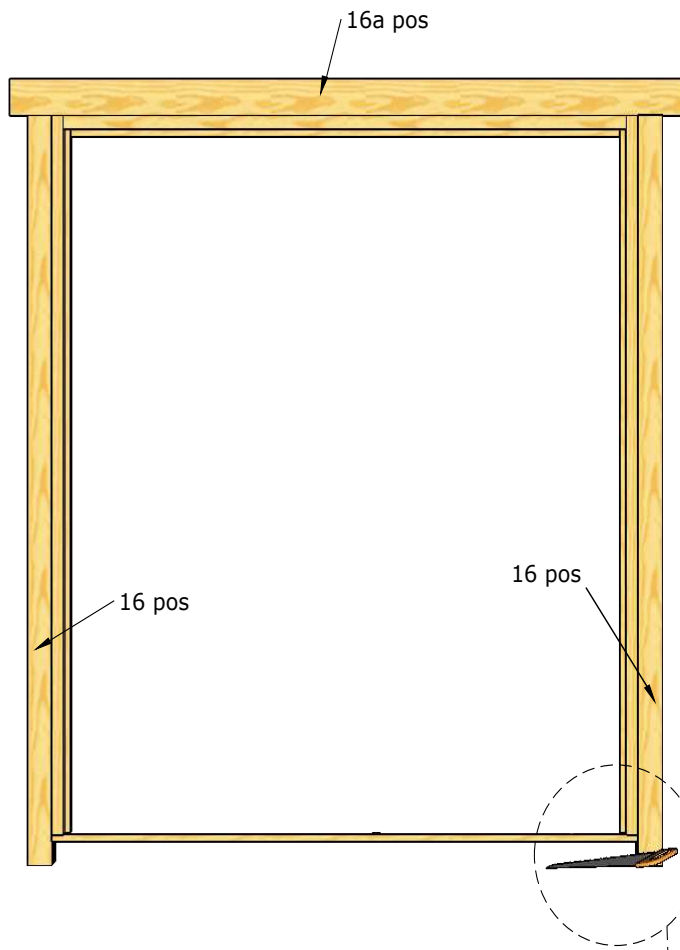


2.5x10





(*) Screws are not included in the package



Window

Normal ca 25 mm
min-max ca 5-90 mm

Door

Normal - ca 40 mm;
min - ca 5 mm;
max - ca 90 mm

